



**33-800WATTS BRICK
DC-DC CONVERTER
Packaging Information**

Contents

1. Package Table 2

2. Package Quarter Brick 3

 2-1. 2.28x1.45x0.50 Inch 3

 2-2. 2.28x2.40x0.50 Inch 3

3. Package Half Brick 4

4. Package Full Brick 4

5 Package 2"x1" 5

6 Package 2"x1.6" 5

7 Package 2.28"x2.40" 6

8 Package 4.41"x1.57" 6

9 Package 4.61"x2.54" 7

10 Package 4.60"x2.40" and 4.60"x2.49" 8

11 Package 6.50"x3.00" and 6.50"x3.09" 9

12 Package 9.45"x4.33" 10

13 Package 4.60"x2.40" 11

14 Package 6.50"x3.00" 12

15 Package 9.45"x3.10" 12

CINCON Electronics Co. Ltd.
Add: 14F, No. 306, Sec.4, Hsin Yi Rd., Taipei, Taiwan
Tel: 886-2-27086210
Fax: 886-2-27029852
E-mail: sales@cincon.com.tw
Web: www.cincon.com



33-800WATTS BRICK
DC-DC CONVERTER
Packaging Information

1. Package Table

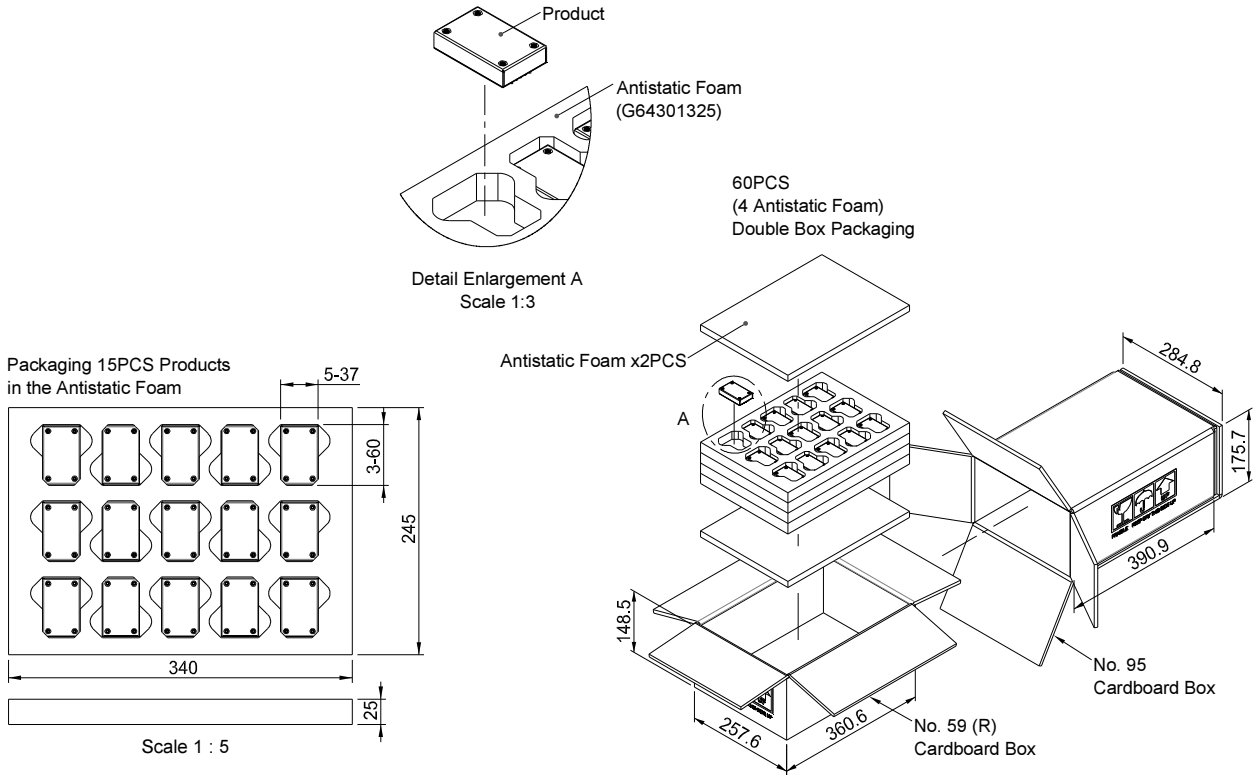
Package	Product Series
Quarter Brick (2.28x1.45x0.50)	CQE50W/CQB50W12/CQB60W-110S/CQB75W/CQB100W CQB100-110S/CQB100W-110/CQB150W/CQB150W-110S CQB75W14-72S/CQB100W14-72S/CQB150W14-72S CQB150-300S/CQB75-300S/CQB200 FM30R080P/FM05D200P
Quarter Brick-F (2.28x2.20x0.50)	CQB75-300SXX-F
Half Brick (2.28x2.40x0.50)	CHB50/CHB50W/CHB75/CHB75W/CHB75 Dual/CHB100 CHB100-110S/CHB100W/CHE100W/CHB150/CHB150W CHB150-110S/CHB150W8/CHB200/CHB200W/CHB200W-110 CHB300W/CHB300W-110S/CHB300-300S/CHB350 CHB150W12-72S/CHB200W12-72S
Full Brick (4.60x2.40x0.50)	CFB200/CFB400W/CFB600/CFB600-300S/CFB600W-110S CFB750-300S/CFB800
2”X1” (EMI Filter)	FM10-100
2”X1.6” (EMI Filter)	FM20-100
2.28”X2.40” (EMI Filter)	FM10D200P
4.41”X1.57” (Chassis Mount/DIN Rail)	CQE50W-CM/DIN, CQB75W-CM/DIN, CQB100W-CM/DIN CQB100-110S-CM/DIN/CQB150W-CM/DIN CQB150W-110S-CM/DIN
4.61”x2.54” (Chassis Mount/DIN Rail)	CHB50W-CM/DIN, CHB75W-CM/DIN, CHE75W-CM/DIN CHB100W-CM/DIN/CHE100W-CM/DIN
4.60”X2.40” (CMFC Chassis Mount) 4.60”X2.49” (CMFD Chassis Mount)	CQB50W12-72SXX-CMFC/ CQB50W12-72SXX-CMFD CQB50W8-36SXX-CMFC/CQB50W8-36SXX-CMFD CQB75W8-36SXX-CMFC/CQB75W8-36SXX-CMFD CQB100W-110SXX-CMFC/CQB100W-110SXX-CMFD CQB150W-110SXX-CMFC/CQB150W-110SXX-CMFD CQB75-300SXX-CMFC/CQB75-300SXX-CMFD CQB150-300SXX-CMFC/CQB150-300SXX-CMFD
6.50”x3.00” (CMFC Chassis Mount) 6.50”X3.09” (CMFD Chassis Mount)	CHB300W-110SXX-CMFC/CHB300W-110SXX-CMFD CHB300-300SXX-CMFC/CHB300-300SXX-CMFD
9.45”x4.33” (CMFD Chassis Mount)	CFB600W-110SXX-CMFD CFB750-300SXX-CMFD
4.60”X2.40” (EVB-CQB Series)	EVB-CQB150(100)W-110S EVB-CQB150-300S EVB-CQB75-300S EVB-CQB75(50)W8-36S EVB-CQB50W12-72S
6.50”x3.00” (EVB-CHB Series)	EVB-CHB300-300S EVB-CHB300(200)W-110S
9.45”x3.61” (EVB-CFB Series)	EVB-CFB750-300S



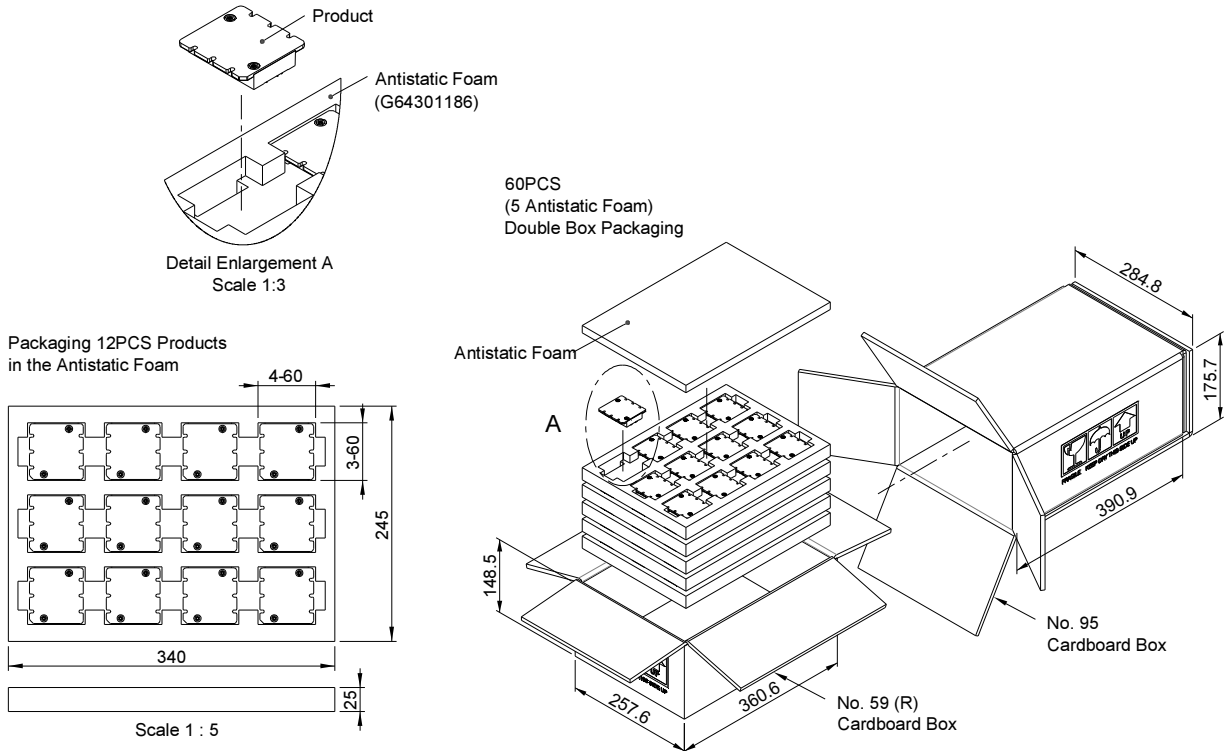
33-800WATTS BRICK DC-DC CONVERTER Packaging Information

2. Package Quarter Brick

2-1. 2.28x1.45x0.50 Inch



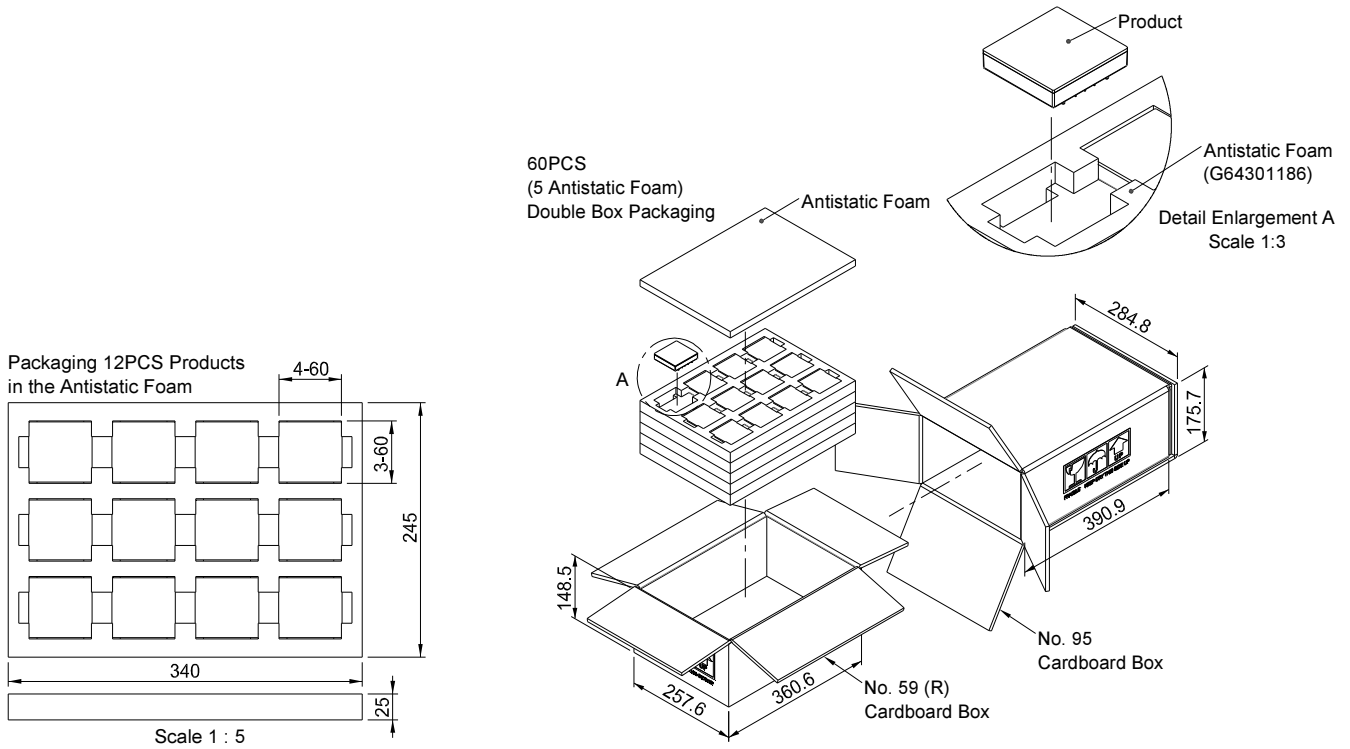
2-2. 2.28x2.20x0.50 Inch



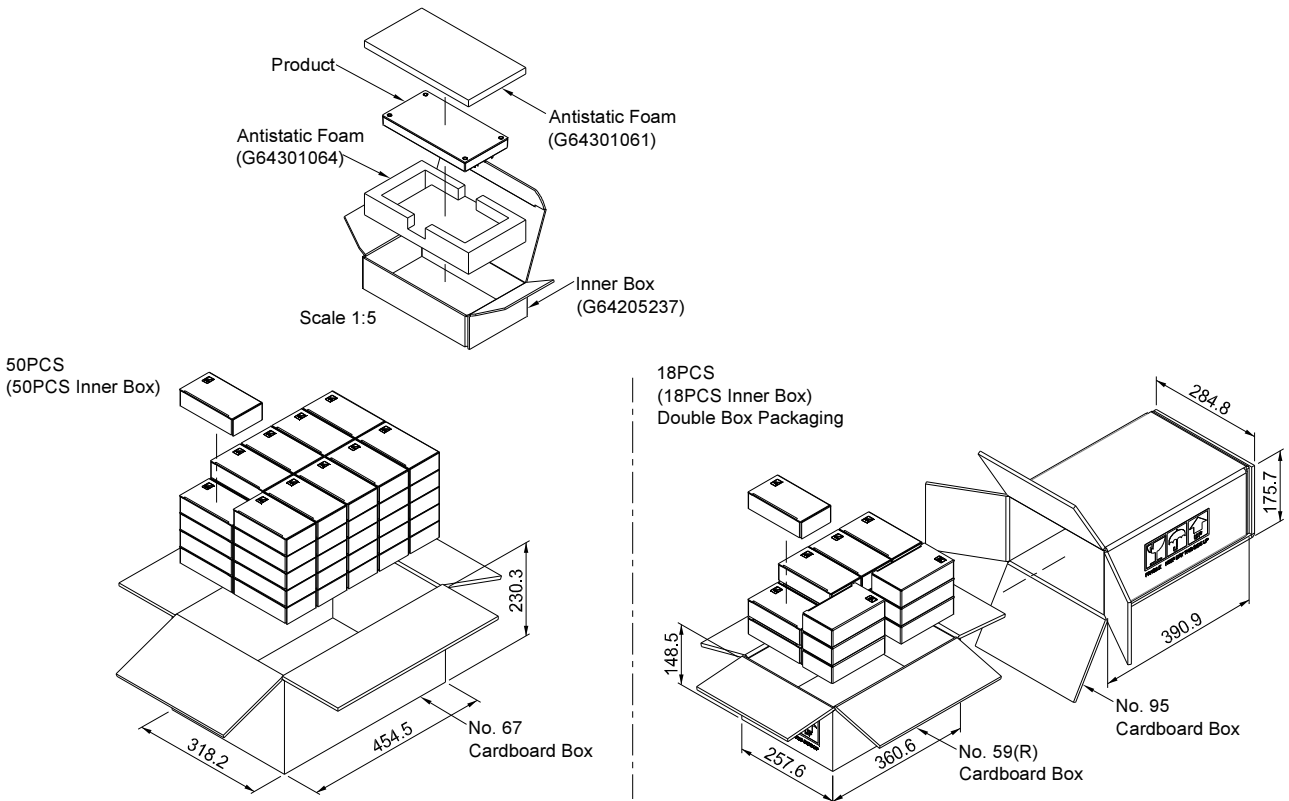


33-800WATTS BRICK DC-DC CONVERTER Packaging Information

3. Package Half Brick



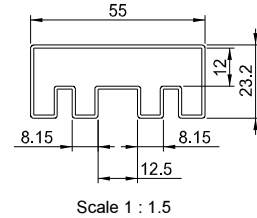
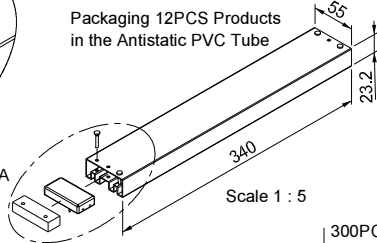
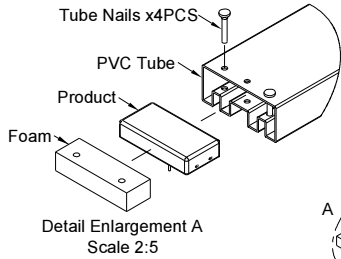
4. Package Full Brick





33-800WATTS BRICK DC-DC CONVERTER Packaging Information

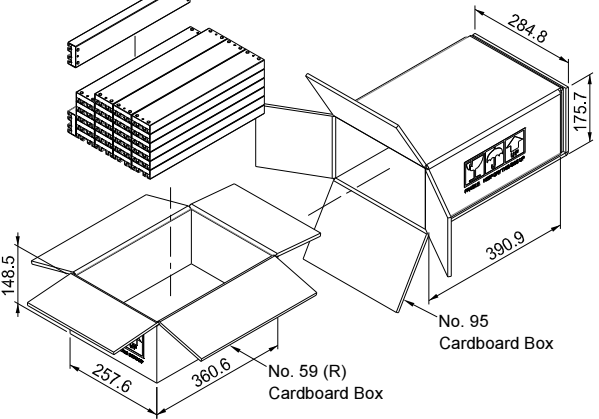
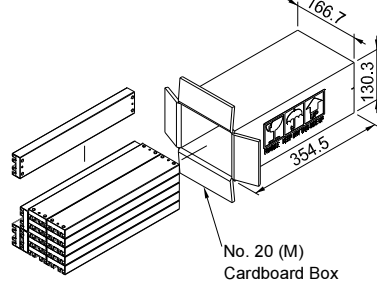
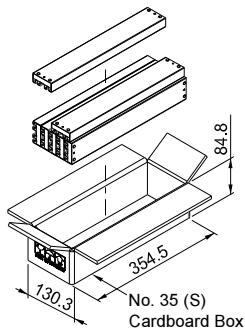
5 Package 2"x1"



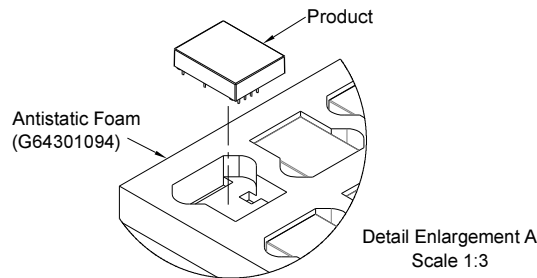
84PCS
(7 PVC Tube)

168PCS
(14 PVC Tube)

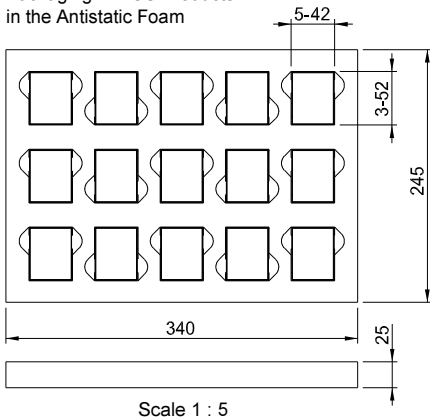
300PCS
(25 PVC Tube)
Double Box Packaging



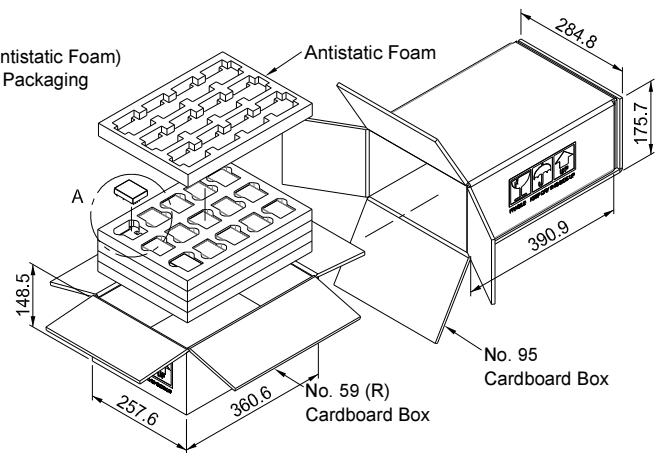
6 Package 2"x1.6"



Packaging 15PCS Products
in the Antistatic Foam



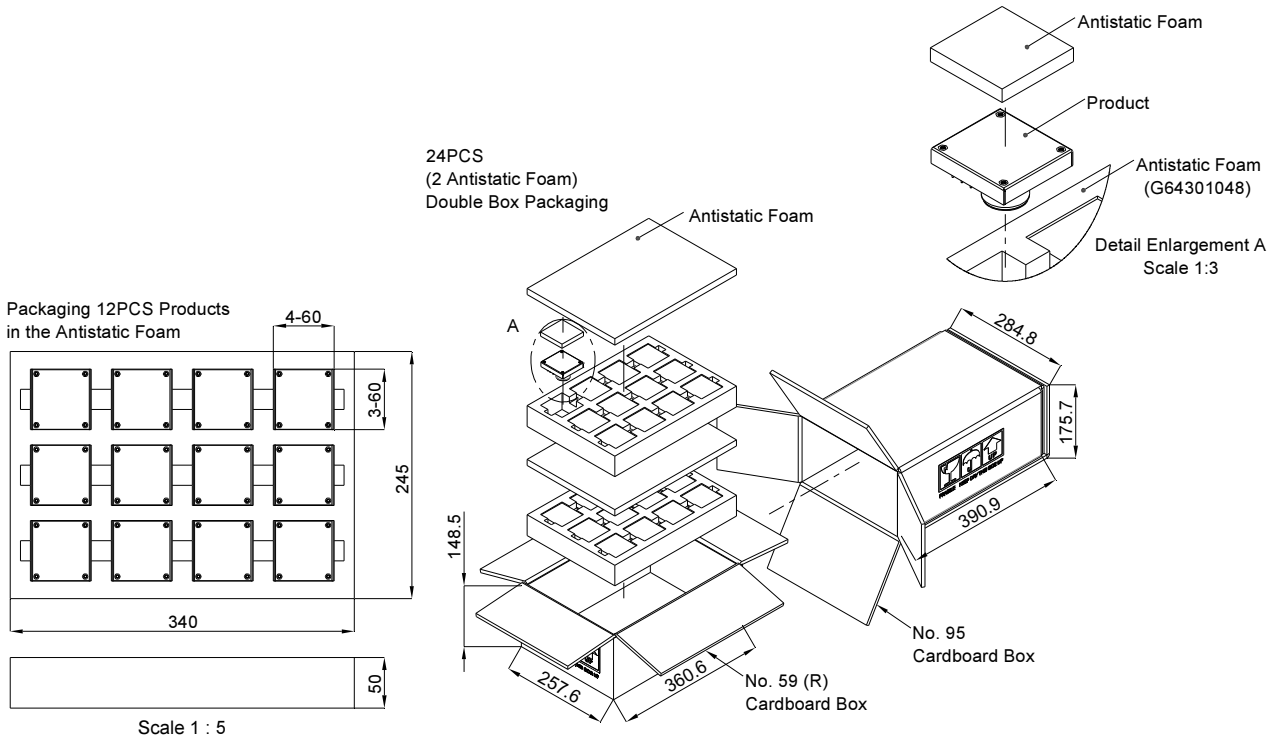
60PCS (4 Antistatic Foam)
Double Box Packaging



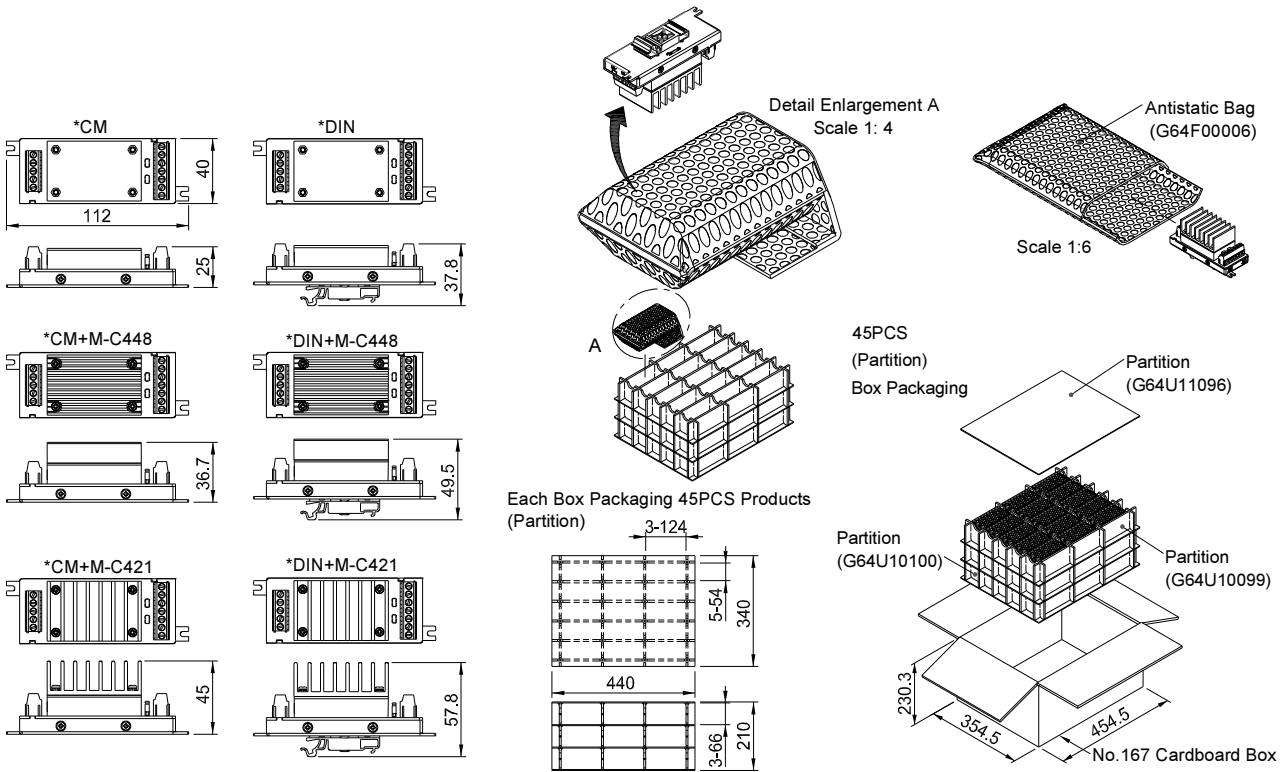


33-800WATTS BRICK DC-DC CONVERTER Packaging Information

7 Package 2.28"x2.40"



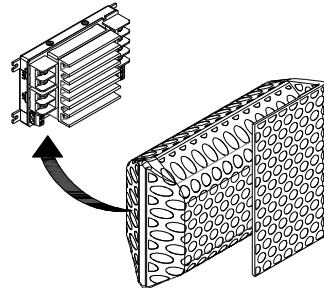
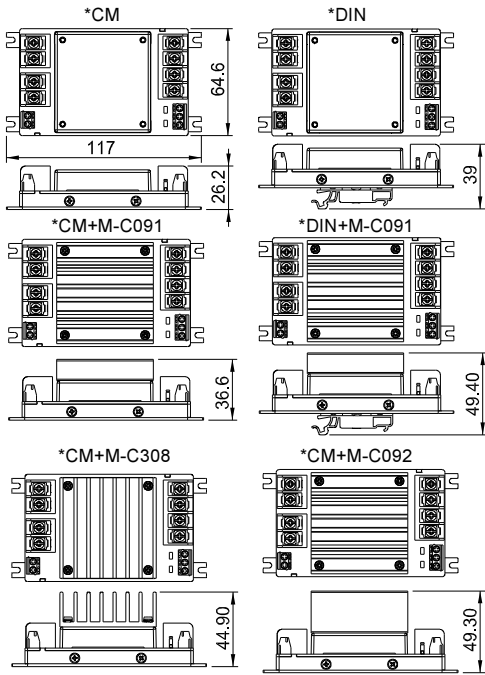
8 Package 4.41"x1.57"



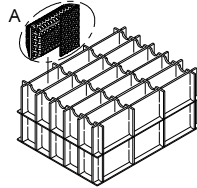
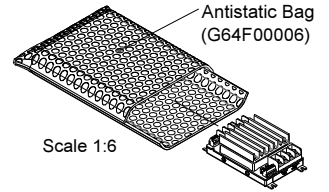


33-800WATTS BRICK DC-DC CONVERTER Packaging Information

9 Package 4.61"x2.54"

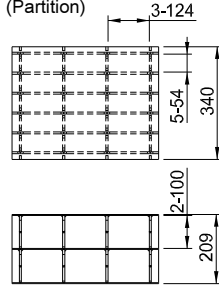


Detail Enlargement A
Scale 1: 4

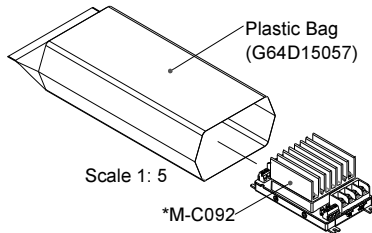
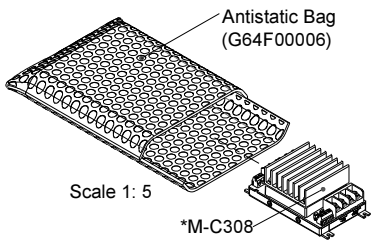
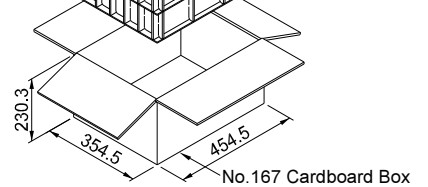


30PCS (Partition) Box Packaging

Each Box Packaging 30PCS Products (Partition)



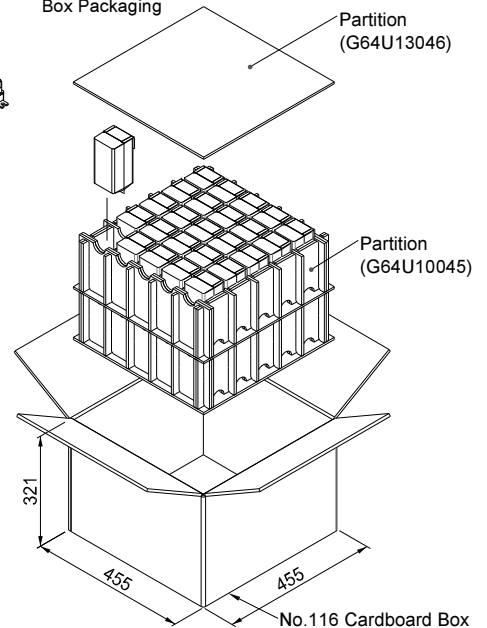
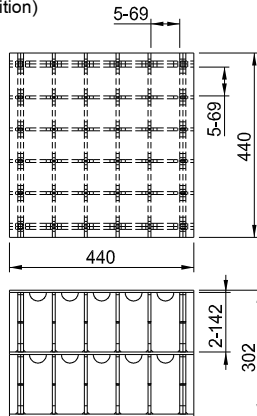
Partition (G64U11096)
Partition (G64U10095)
Partition (G64U10094)



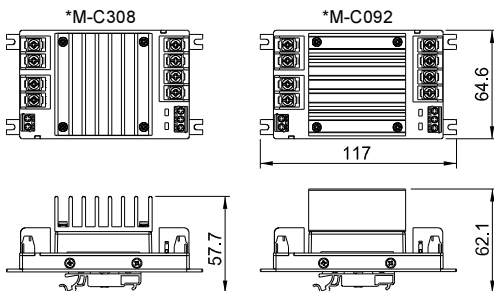
50PCS (Partition) Box Packaging

Partition (G64U13046)

Each Box Packaging 50PCS Products (Partition)



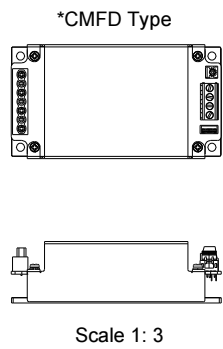
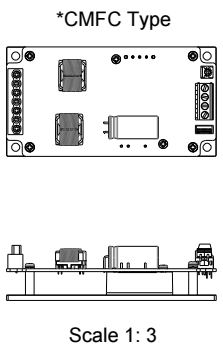
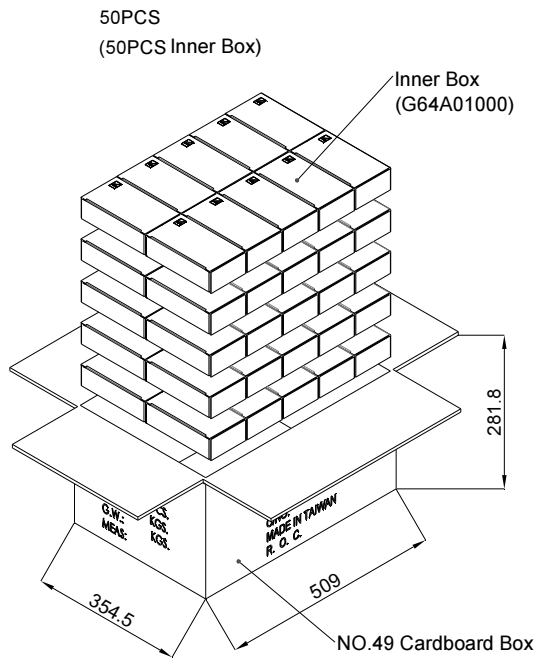
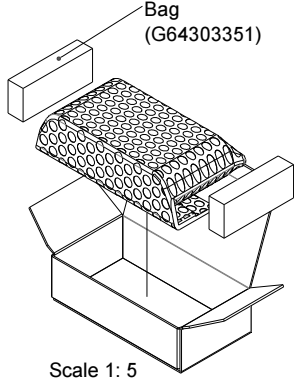
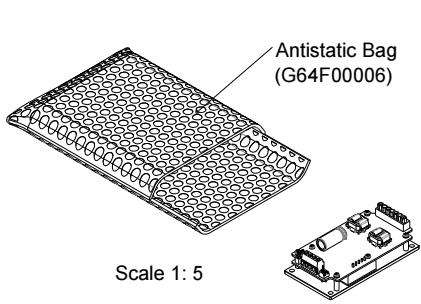
No.116 Cardboard Box





33-800WATTS BRICK DC-DC CONVERTER Packaging Information

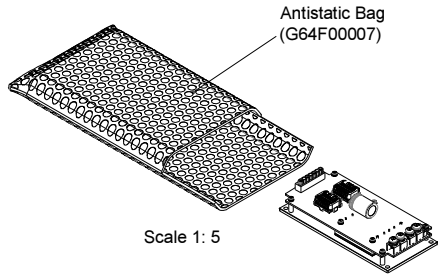
10 Package 4.60"x2.40" and 4.60"x2.49"



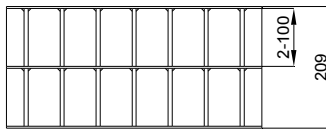
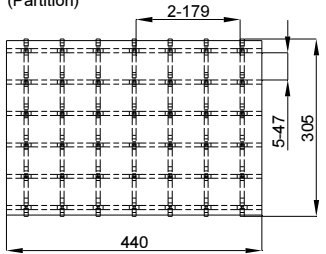


33-800WATTS BRICK DC-DC CONVERTER Packaging Information

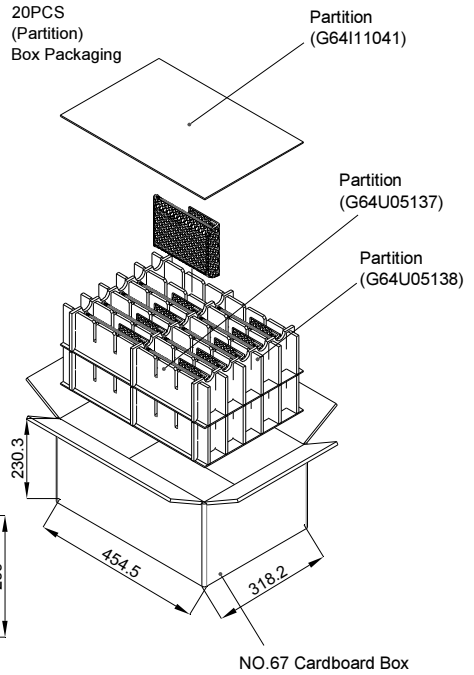
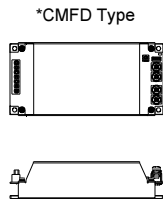
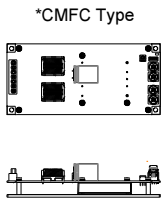
11 Package 6.50"x3.00" and 6.50"x3.09"



Each Box Packaging 20PCS Products (Partition)



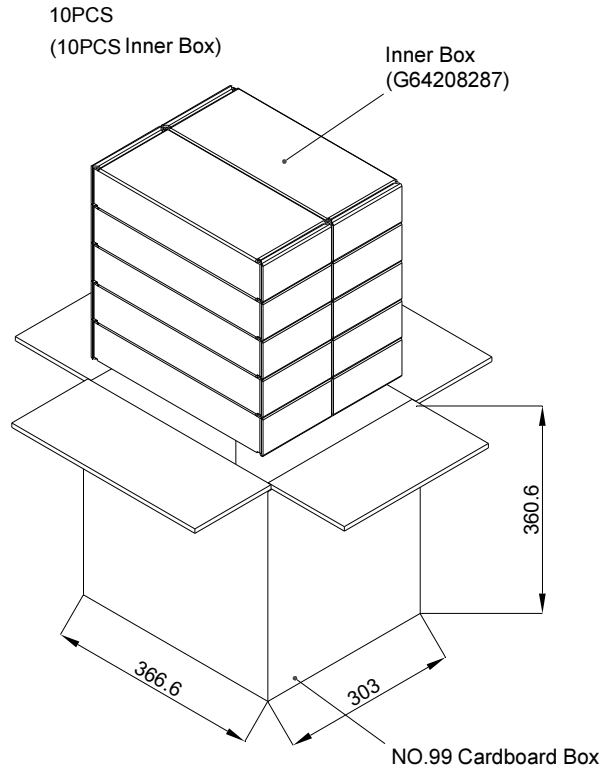
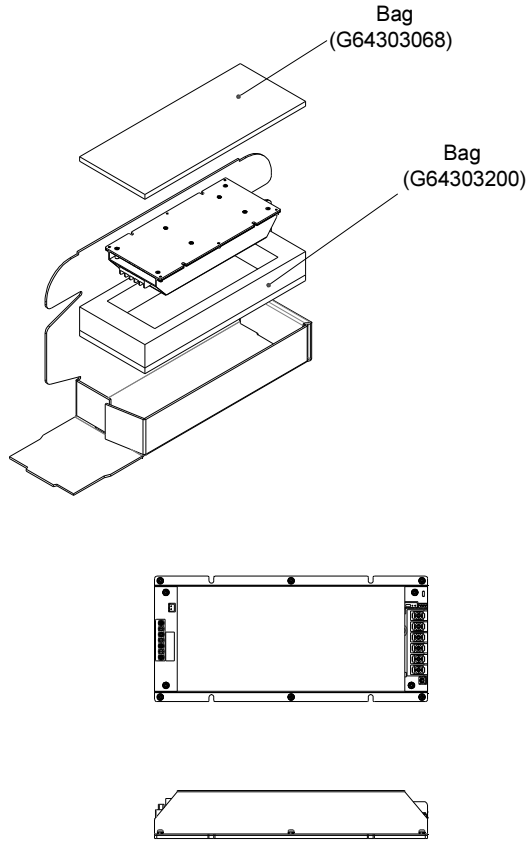
Scale 1: 8





33-800WATTS BRICK DC-DC CONVERTER Packaging Information

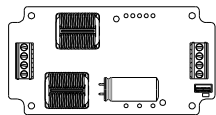
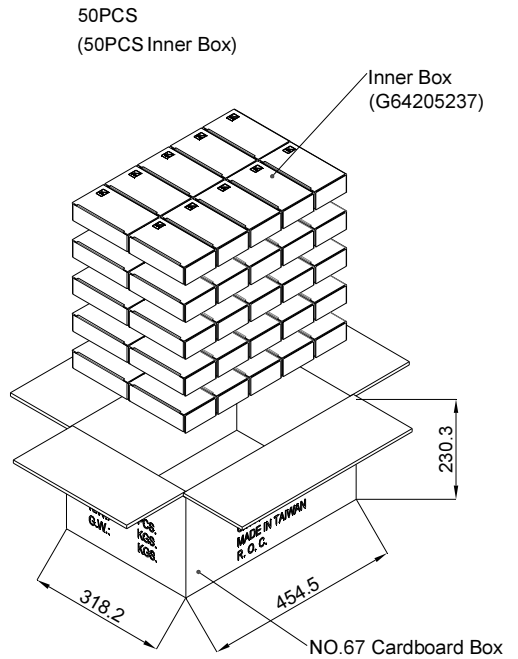
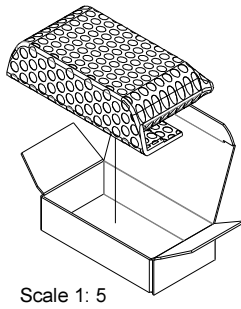
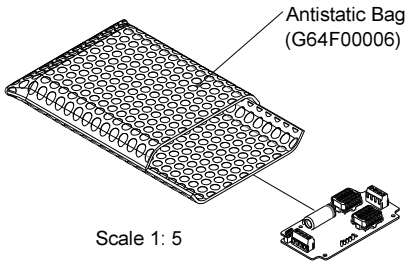
12 Package 9.45"x4.33"





33-800WATTS BRICK DC-DC CONVERTER Packaging Information

13 Package 4.60"x2.40"

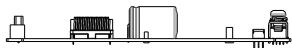
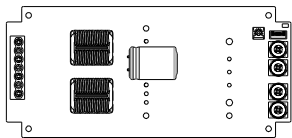
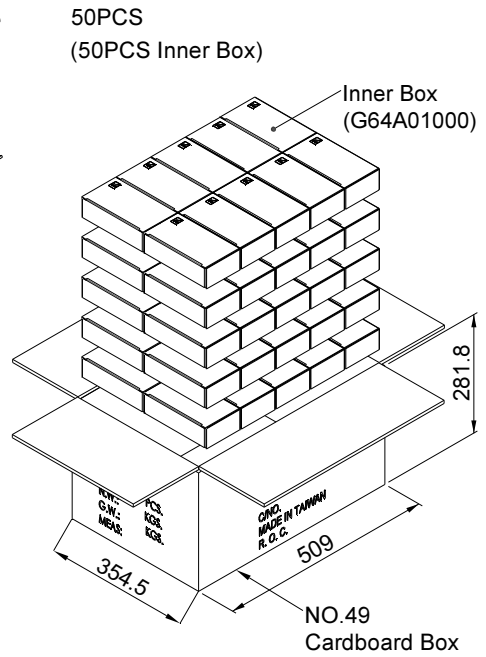
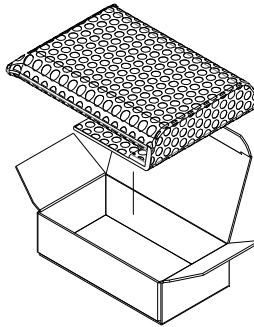
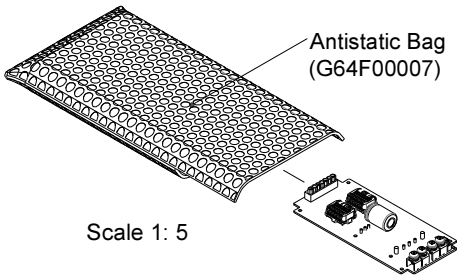


Scale 1: 3



33-800WATTS BRICK DC-DC CONVERTER Packaging Information

14 Package 6.50"x3.00"



15 Package 9.45"x3.61"

