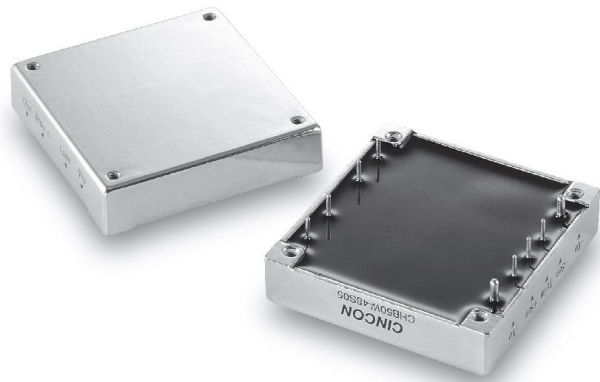




CHB50W Series Application Note V20 October 2019

ISOLATED DC-DC CONVERTER CHB50W SERIES APPLICATION NOTE



Approved By:

Department	Approved By	Checked By	Written By
Research and Development Department	Enoch	Danny	Joyce
		Jacky	
Quality Assurance Department	Ryan	Benny	



CHB50W Series

Application Note V20 October 2019

Contents

1. Introduction	3
2. DC-DC Converter Features.....	3
3. Electrical Block Diagram	3
4. Technical Specifications.....	4
5. Main Features and Functions.....	8
5.1 Operating Temperature Range.....	8
5.2 Output Voltage Adjustment.....	8
5.3 Over Current Protection.....	8
5.4 Output Over Voltage Protection.....	8
5.6 Remote On/Off.....	8
5.7 UVLO (Under Voltage Lock Out)	8
5.8 Over Temperature Protection	8
6. Applications.....	8
6.1 Recommended Layout, PCB Footprint and Soldering Information.....	8
6.2 Convection Requirements for Cooling	9
6.3 Thermal Considerations	9
6.4 Input Capacitance at the Power Module	9
6.5 Power Derating.....	10
6.6 Half Brick Heat Sinks:.....	12
6.7 Efficiency VS. Load	13
6.8 Test Set-Up.....	16
6.9 Output Voltage Adjustment.....	16
6.10 Output Remote Sensing	17
6.11 Output Ripple and Noise.....	17
6.12 Output Capacitance.....	18
7. Safety & EMC.....	18
7.1 Input Fusing and Safety Considerations	18
7.2 EMC Considerations.....	18
8. Part Number	21
9. Mechanical Specifications	21
9.1 Mechanical Outline Diagrams.....	21



CHB50W Series

Application Note V20 October 2019

1. Introduction

The CHB50W series offers 50 watts of output power with high power density in an industry standard half-brick package. The CHB50W series has wide (4:1) input voltage ranges of 9-36 and 18-75VDC and provides a precisely regulated output. This series has features such as high efficiency, 1500VDC isolation and a case operating temperature range of -40°C to 100°C . The modules are fully protected against input UVLO (under voltage lock out), output short circuit, output over voltage and over temperature conditions. Furthermore, the standard control functions include remote on/off and output voltage trimming. All models are highly suited to telecommunications, distributed power architectures, battery operated equipment, industrial, and mobile equipment applications.

2. DC-DC Converter Features

- 33-50W Isolated Output
- Efficiency to 87%
- 300KHz Switching Frequency
- 4:1 Input Range
- Regulated Outputs
- Continuous Short Circuit Protection
- Five-Sided Shield Metal Case
- Half-Brick Size Meet Industrial Standard
- UL60950-1 Approval (Except 28 Vout)
- Safety Meets UL60950-1, EN60950-1 and IEC60950-1

3. Electrical Block Diagram

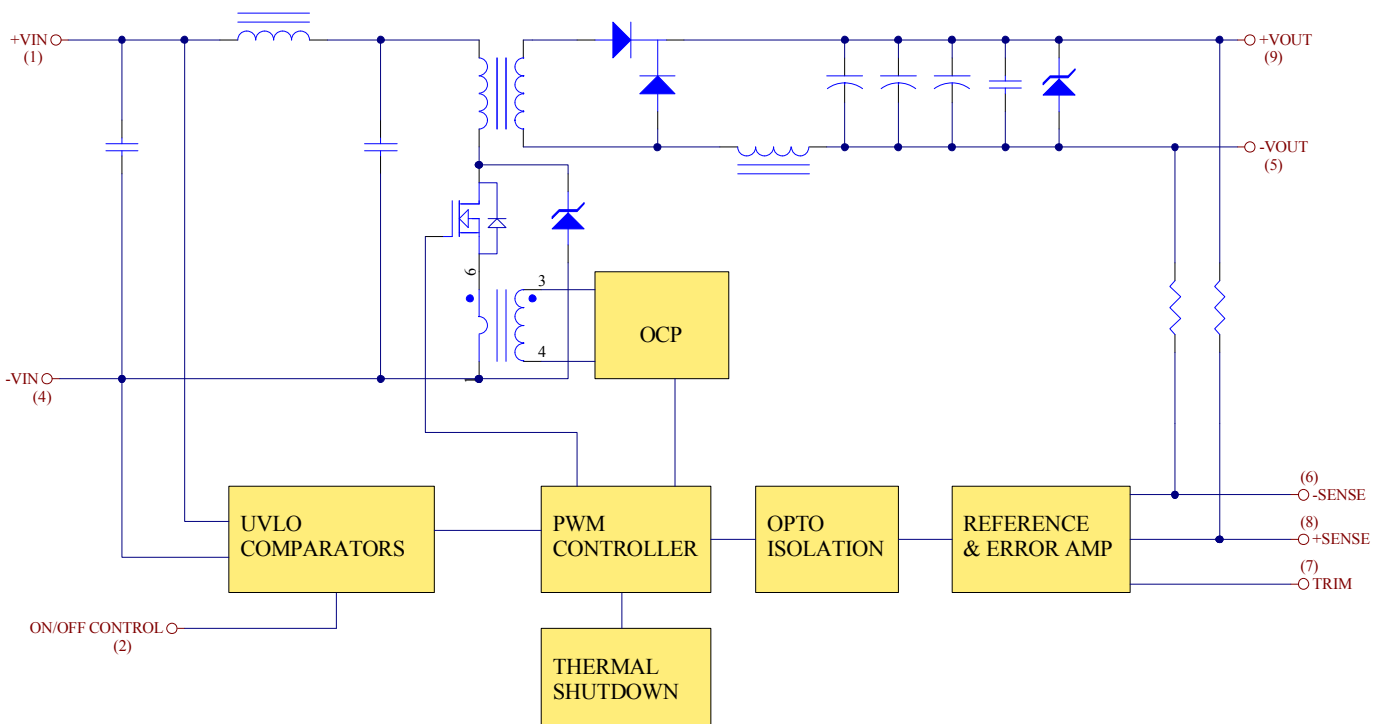


Figure 1 Electrical Block Diagram of CHB50W Series Module



CHB50W Series

Application Note V20 October 2019

4. Technical Specifications

(All specifications are typical at nominal input, full load at 25°C unless otherwise noted.)

ABSOLUTE MAXIMUM RATINGS

PARAMETER	NOTES and CONDITIONS	Device	Min.	Typical	Max.	Units
Input Voltage						
Continuous		24SXX	-0.3		36	V_{dc}
		48SXX	-0.3		75	
Transient	100ms	24SXX			50	V_{dc}
		48SXX			100	
Operating Temperature	Case	All	-40		100	°C
Storage Temperature		All	-55		105	°C
Isolation Voltage	1 minute; input/output, input/case, output/case	All	1500			V_{dc}

INPUT CHARACTERISTICS

PARAMETER	NOTES and CONDITIONS	Device	Min.	Typical	Max.	Units
Operating Input Voltage		24SXX	9	24	36	V_{dc}
		48SXX	18	48	75	
Input Under Voltage Lockout						
Turn-On Voltage Threshold		24SXX		8.8		V_{dc}
		48SXX		17		
Turn-Off Voltage Threshold		24SXX		8.0		V_{dc}
		48SXX		16		
Lockout Hysteresis Voltage		24SXX		0.8		V_{dc}
		48SXX		1		
Maximum Input Current	100% Load, $V_{in}=9V$ for 24SXX	24SXX		7.1		A
	100% Load, $V_{in}=18V$ for 48SXX	48SXX		3.4		
No-Load Input Current		24SXX		50		mA
		48SXX		50		
Inrush Current (I^2t)					TBD	A^2s
Input Reflected Ripple Current	P-P thru 12uH inductor, 5Hz to 20MHz	24SXX		TBD		mA
		48SXX		TBD		

OUTPUT CHARACTERISTICS

PARAMETER	NOTES and CONDITIONS	Device	Min.	Typical	Max.	Units
Output Voltage Set Point	$V_{in}=\text{Nominal } V_{in}, I_o = I_{o,max}, T_c=25^\circ C$	$V_o=3.3 V_{dc}$	3.267	3.3	3.333	V_{dc}
		$V_o=5.0 V_{dc}$	4.95	5	5.05	
		$V_o=12 V_{dc}$	11.88	12	12.12	
		$V_o=15 V_{dc}$	14.85	15	15.15	
		$V_o=24 V_{dc}$	23.76	24	24.24	
		$V_o=28 V_{dc}$	27.72	28	28.28	
		$V_o=48 V_{dc}$	47.52	48	48.48	



CHB50W Series

Application Note V20 October 2019

PARAMETER	NOTES and CONDITIONS	Device	Min.	Typical	Max.	Units
Output Voltage Regulation						
Load Regulation	$I_o = I_{o_min}$ to I_{o_max} (for 48Vout: Require a 47uF aluminum capacitor connected between +Vout and -Vout)	All			±0.2	%
Line Regulation	Vin=low line to high line (for 48Vout: Require a 47uF aluminum capacitor connected between +Vout and -Vout)	All			±0.2	%
Temperature Coefficient	$T_c = -40^{\circ}\text{C}$ to 100°C	All			±0.03	%/°C
Output Voltage Ripple and Noise						
Peak-to-Peak	5Hz to 20MHz bandwidth, Full load 10uF tantalum and 1.0uF ceramic capacitors	$V_o = 3.3\&5.0\text{V}$ $V_o = 12\&15\text{V}$ $V_o = 24\text{V}$ $V_o = 28\text{V}$			100 150 240 280	mV
	Full load 1.0uF ceramic capacitors	$V_o = 48\text{V}$			480	
RMS	5Hz to 20MHz bandwidth, Full load, 10uF solid tantalum and 1.0uF ceramic capacitors	$V_o = 3.3\&5.0\text{V}$ $V_o = 12\&15\text{V}$ $V_o = 24\&28\text{V}$			40 60 100	mV
	Full load 1.0uF ceramic capacitors	$V_o = 48\text{V}$			200	
Operating Output Current Range		$V_o = 3.3\text{ V}_{dc}$	0		10	A
		$V_o = 5.0\text{ V}_{dc}$	0		10	
		$V_o = 12\text{ V}_{dc}$	0		4.16	
		$V_o = 15\text{ V}_{dc}$	0		3.33	
		$V_o = 24\text{ V}_{dc}$	0		2.08	
		$V_o = 28\text{ V}_{dc}$	0		1.78	
Output DC Current Limit Inception	Output Voltage=90% Nominal Output Voltage	All	110		160	%
Maximum Output Capacitance	Full load (resistive)	XXS33	0		10000	uF
		XXS05	0		10000	
		XXS12	0		4160	
		XXS15	0		3330	
		XXS24	0		2080	
		XXS28	0		1780	
		XXS48	47		1040	

DYNAMIC CHARACTERISTICS

PARAMETER	NOTES and CONDITIONS	Device	Min.	Typical	Max.	Units
Output Voltage Current Transient						
Step Change in Output Current	75% to 100% of I_{o_max}	All			±5	%
Setting Time (within 1% Vout nominal)	$d_i/d_t = 0.1\text{A/us}$	All			500	us



CHB50W Series

Application Note V20 October 2019

PARAMETER	NOTES and CONDITIONS	Device	Min.	Typical	Max.	Units
Turn-On Delay and Rise Time						
Turn-On Delay Time, From On/Off Control	$V_{on/off}$ to $10\%V_{o_set}$	All		5		ms
Turn-On Delay Time, From Input	V_{in_min} to $10\%V_{o_set}$	All		4		ms
Output Voltage Rise Time	$10\%V_{o_set}$ to $90\%V_{o_set}$	All		1		ms

EFFICIENCY

PARAMETER	NOTES and CONDITIONS	Device	Min.	Typical	Max.	Units
100% Load		24S33		79		%
		24S05		81		
		24S12		83		
		24S15		85		
		24S24		84		
		24S28		83		
		24S48		83		
		48S33		81		
		48S05		83		
		48S12		85		
		48S15		87		
		48S24		86		
		48S28		85		
		48S48		84		

ISOLATION CHARACTERISTICS

PARAMETER	NOTES and CONDITIONS	Device	Min.	Typical	Max.	Units
Isolation Voltage	1 minute; input/output, input/case, output/case	All			1500	V_{dc}
Isolation Resistance		All	10			M Ω
Isolation Capacitance		All		1000		pF

FEATURE CHARACTERISTICS

PARAMETER	NOTES and CONDITIONS	Device	Min.	Typical	Max.	Units
Switching Frequency		All		300		KHz
On/Off Control, Positive Remote On/Off logic						
Logic Low (Module Off)	$V_{on/off}$ at $I_{on/off}=1.0mA$	All	0		0.8	V
Logic High (Module On)	$V_{on/off}$ at $I_{on/off}=0.0uA$	All	3.5 or Open Circuit		75	V
On/Off Control, Negative Remote On/Off logic						
Logic High (Module Off)	$V_{on/off}$ at $I_{on/off}=0.0uA$	All	3.5 or Open Circuit		75	V
Logic Low (Module On)	$V_{on/off}$ at $I_{on/off}=1.0mA$	All	0		0.8	V



CHB50W Series

Application Note V20 October 2019

PARAMETER	NOTES and CONDITIONS	Device	Min.	Typical	Max.	Units
Off Converter Input Current	Shutdown input idle current	All			10	mA
Output Voltage Trim Range	P_{out} =max rated power	All	-10		+10	%
Output Over Voltage Protection	With TVS clamp	All	115	125	140	%
Over-Temperature Protection	Shutdown Case Temperature	All		100		°C
	Restart threshold Case Temperature	All		70		°C

GENERAL SPECIFICATIONS

PARAMETER	NOTES and CONDITIONS	Device	Min.	Typical	Max.	Units
MTBF	$I_o=100\%$ of $I_{o,max}$; $T_a=25^\circ\text{C}$ per MIL-HDBK-217F	All		1		M hours
Weight		All		94		grams



CHB50W Series

Application Note V20 October 2019

5. Main Features and Functions

5.1 Operating Temperature Range

The CHB50W series converters can be operated within a wide case temperature range of -40°C to 100°C . Consideration must be given to the derating curves when ascertaining maximum power that can be drawn from the converter. The maximum power drawn from half brick models is influenced by usual factors, such as:

- Input voltage range
- Output load current
- Forced air or natural convection

5.2 Output Voltage Adjustment

Section 6.8 describes in detail how to trim the output voltage with respect to its set point. The output voltage on all models is adjustable within the range of $+10\%$ to -10% .

5.3 Over Current Protection

All models have internal over current and continuous short circuit protection. The unit operates normally once the fault condition is removed. At the point of current limit inception, the output voltage of converter will be going down into current limit and power fold-back protection.

5.4 Output Over Voltage Protection

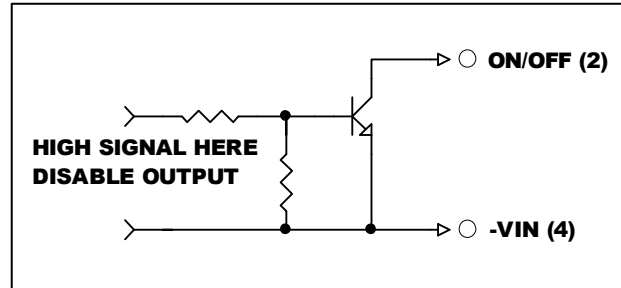
The output terminals connect a TVS (Transient Voltage Suppressor) diode. The TVS is used by the function of output over voltage protection to avoid the output voltage increase too high in abnormal condition. If more accurate output over voltage protection is required then an external circuit can be used via the remote on/off pin.

5.6 Remote On/Off

The CHB50W series allows the user to switch the module on and off electronically with the remote on/off feature. All models are available in “positive logic” and “negative logic” (optional) versions. The converter turns on if the remote on/off pin is high ($>3.5\text{Vdc}$ or open circuit). Setting the pin low (0 to $<0.8\text{Vdc}$) will turn the converter off. The signal level of the remote on/off input is defined with respect to ground. If not using the remote on/off pin, leave the pin open (converter will be on). Models with part number suffix “N” are the “negative logic” remote on/off version. The unit turns off if the remote on/off pin is high ($>3.5\text{Vdc}$ or open circuit). The converter turns on if the on/off pin input is low (0 to $<0.8\text{Vdc}$). Note that the converter is off by default.

5.7 UVLO (Under Voltage Lock Out)

Input under voltage lockout is standard on the CHB50W unit. The unit will shut down when the input



voltage drops below a threshold, and the unit will operate when the input voltage goes above the upper threshold.

5.8 Over Temperature Protection

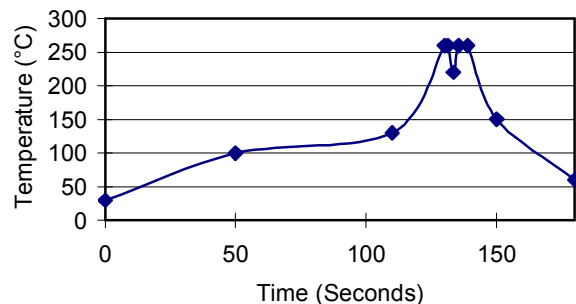
These modules have an over temperature protection circuit to safeguard against thermal damage. The module shuts down and latches off when the maximum case reference temperature is exceeded. The module will restart when the case temperature falls below restart threshold.

6. Applications

6.1 Recommended Layout, PCB Footprint and Soldering Information

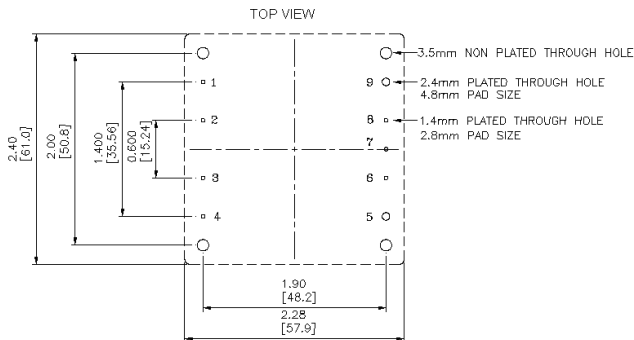
The system designer or end user must ensure that metal and other components in the vicinity of the converter meet the spacing requirements for which the system is approved. Low resistance and inductance PCB layout traces are the norm and should be used where possible. Due consideration must also be given to proper low impedance tracks between power module, input and output grounds. The recommended soldering profile and PCB layout are shown below.

Lead Free Wave Soldering Profile





CHB50W Series Application Note V20 October 2019



6.2 Convection Requirements for Cooling

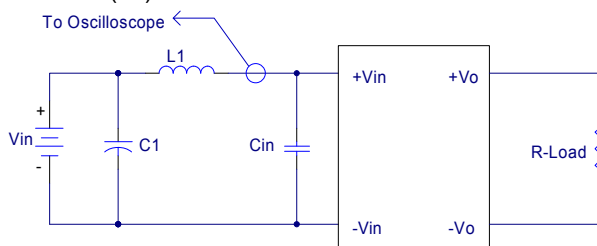
To predict the approximate cooling needed for the half brick module, refer to the power derating curves in section 6.4. These derating curves are approximations of the ambient temperatures and airflows required to keep the power module temperature below its maximum rating. Once the module is assembled in the actual system, the module's temperature should be monitored to ensure it does not exceed 100°C as measured at the center of the top of the case (thus verifying proper cooling).

6.3 Thermal Considerations

The power module operates in a variety of thermal environments; however, sufficient cooling should be provided to help ensure reliable operation of the unit. Heat is removed by conduction, convection, and radiation to the surrounding environment. The example is presented in section 6.4. The power output of the module should not be allowed to exceed rated power ($V_{o_set} \times I_{o_max}$).

6.4 Input Capacitance at the Power Module

The converters must be connected to low AC source impedance. To avoid problems with loop stability source inductance should be low. Also, the input capacitors (C_{in}) should be placed close to the converter input pins to decouple distribution inductance. However, the external input capacitors are chosen for suitable ripple handling capability. Low ESR capacitors are good choice. Circuit as shown as below represents typical measurement methods for reflected ripple current. C_1 and L_1 simulate a typical DC source impedance. The input reflected-ripple current is measured by current probe to oscilloscope with a simulated source Inductance (L_1).



L1: 12uH
 C1: 220uF ESR<0.1ohm @100KHz
 Cin: 100uF ESR<0.1ohm @100KHz
 Input Reflected-Ripple Test Setup

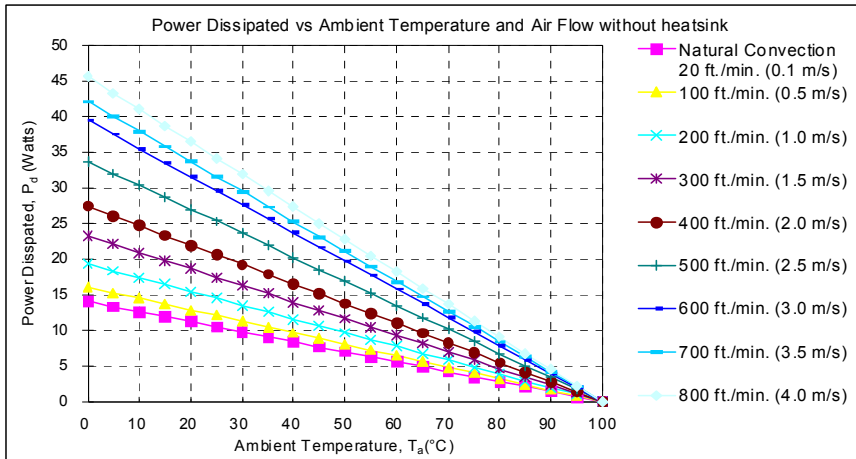


CHB50W Series

Application Note V20 October 2019

6.5 Power Derating

The operating case temperature range of CHB50W series is -40°C to $+100^{\circ}\text{C}$. When operating the CHB50W series, proper derating or cooling is needed. The maximum case temperature under any operating condition should not exceed 100°C .



AIR FLOW RATE	TYPICAL R_{ca}
Natural Convection	7.12°C/W
20ft./min. (0.1m/s)	6.21°C/W
100 ft./min. (0.5m/s)	6.21°C/W
200 ft./min. (1.0m/s)	5.17°C/W
300 ft./min. (1.5m/s)	4.29°C/W
400 ft./min. (2.0m/s)	3.64°C/W
500 ft./min. (2.5m/s)	2.96°C/W
600 ft./min. (3.0m/s)	2.53°C/W
700 ft./min. (3.5m/s)	2.37°C/W
800 ft./min. (4.0m/s)	2.19°C/W

Example:

What is the minimum airflow necessary for a CHB50W-24S12 operating at nominal line voltage, an output current of 4.16A, and a maximum ambient temperature of 50°C

Solution:

Given:

$$V_{in}=24\text{Vdc}, V_o=12\text{Vdc}, I_o=4.16\text{A}$$

Determine Power dissipation (P_d):

$$P_d = P_i - P_o = P_o(1-\eta)/\eta$$

$$P_d = 12 \times 4.16 \times (1-0.83)/0.83 = 10.22\text{Watts}$$

Determine airflow:

$$\text{Given: } P_d = 10.22\text{W and } T_a = 50^{\circ}\text{C}$$

Check above Power Derating curve:

Minimum airflow = 300 ft./min.

Verify:

The maximum temperature rise

$$\Delta T = P_d \times R_{ca} = 10.22 \times 4.29 = 43.84^{\circ}\text{C}$$

The maximum case temperature

$$T_c = T_a + \Delta T = 93.84^{\circ}\text{C} < 100^{\circ}\text{C}$$

Where:

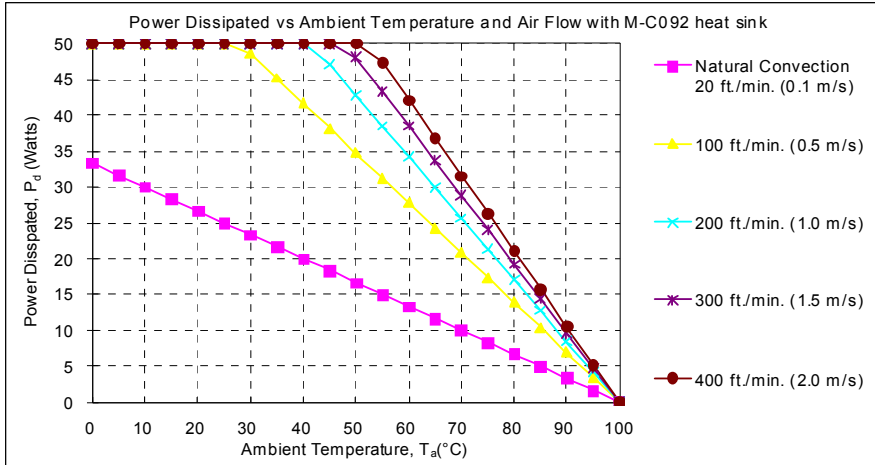
The R_{ca} is thermal resistance from case to ambience.

The T_a is ambient temperature and the T_c is case temperature.



CHB50W Series

Application Note V20 October 2019



AIR FLOW RATE	TYPICAL R_{ca}
Natural Convection 20ft./min. (0.1m/s)	3°C/W
100 ft./min. (0.5m/s)	1.44°C/W
200 ft./min. (1.0m/s)	1.17°C/W
300 ft./min. (1.5m/s)	1.04°C/W
400 ft./min. (2.0m/s)	0.95°C/W

Example (with heatsink M-C092):

What is the minimum airflow necessary for a CHB50W-48S05 operating at nominal line voltage, an output current of 15A, and a maximum ambient temperature of 60°C

Solution:

Given:

$$V_{in}=24V_{dc}, V_o=5V_{dc}, I_o=10A$$

Determine Power dissipation (P_d):

$$P_d=P_i-P_o=P_o(1-\eta)/\eta$$

$$P_d=5 \times 10 \times (1-0.81)/0.81=11.73\text{Watts}$$

Determine airflow:

$$\text{Given: } P_d=11.73\text{W and } T_a=60^\circ\text{C}$$

Check above Power de-rating curve:

$$P_d < 20\text{W, Natural Convection}$$

Verify: Maximum temperature rise is $\Delta T = P_d \times R_{ca}=11.73 \times 3=35.19^\circ\text{C}$

$$\text{Maximum case temperature is } T_c=T_a+\Delta T=95.19^\circ\text{C} < 100^\circ\text{C}$$

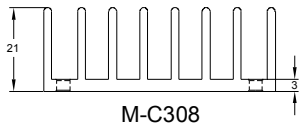
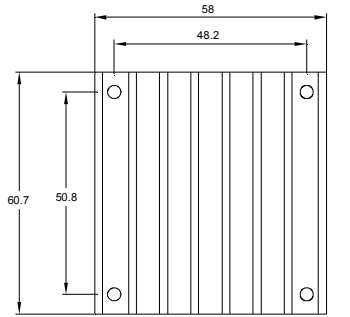
Where: The R_{ca} is thermal resistance from case to ambient environment.

T_a is ambient temperature and T_c is case temperature.



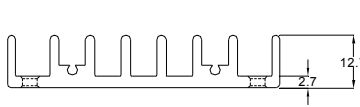
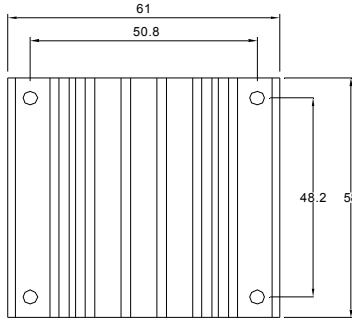
CHB50W Series Application Note V20 October 2019

6.6 Half Brick Heat Sinks:



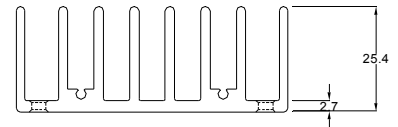
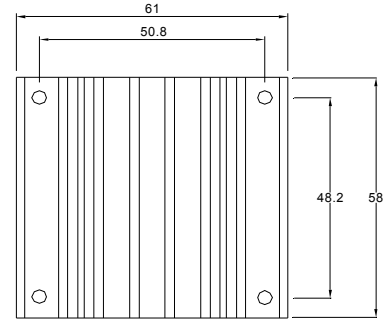
M-C308
M-C308 (G6620400201)
Longitudinal Heat Sink

Rca:
 3.90°C/W (typ.), natural convection
 1.74°C/W (typ.), at 100LFM
 1.33°C/W (typ.), at 200LFM
 1.12°C/W (typ.), at 300LFM
 0.97°C/W (typ.), at 400LFM



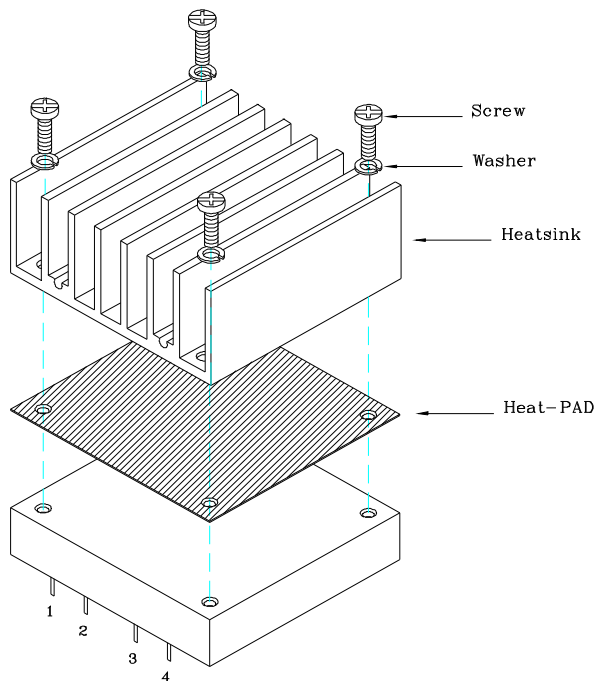
M-C091
M-C091 (G6610120402)
Transverse Heat Sink

Rca:
 4.70°C/W (typ.), natural convection
 2.89°C/W (typ.), at 100LFM
 2.30°C/W (typ.), at 200LFM
 1.88°C/W (typ.), at 300LFM
 1.59°C/W (typ.), at 400LFM



M-C092
M-C092 (G6610130402)
Transverse Heat Sink

Rca:
 3.00°C/W (typ.), natural convection
 1.44°C/W (typ.), at 100LFM
 1.17°C/W (typ.), at 200LFM
 1.04°C/W (typ.), at 300LFM
 0.95°C/W (typ.), at 400LFM



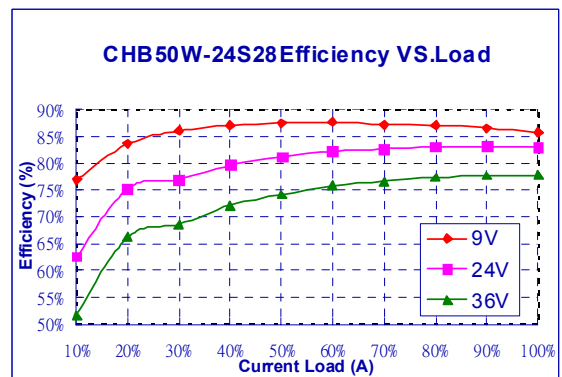
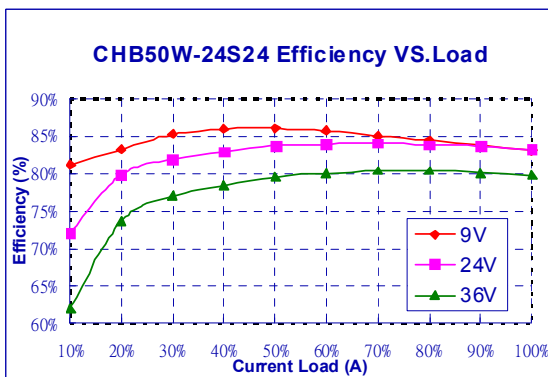
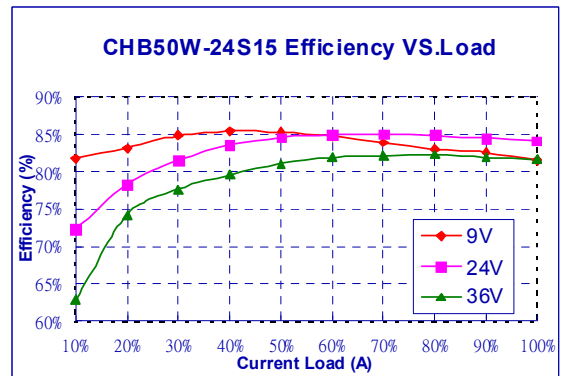
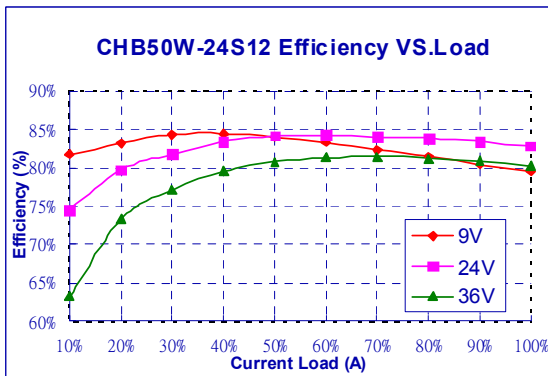
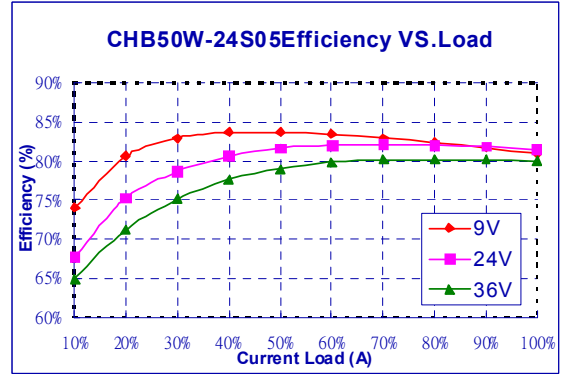
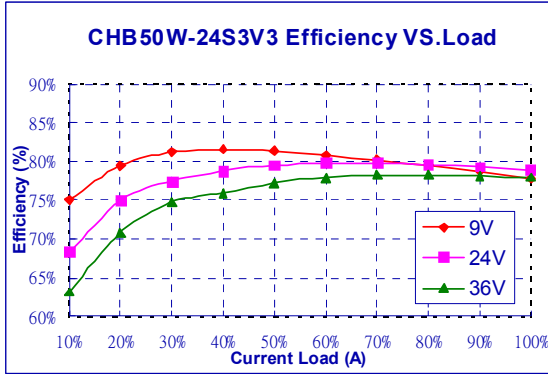
THERMAL PAD: SZ 56.9*60*0.25 mm (G6135041091)
 SCREW: SMP+SW M3*8L (G75A1300322)



CHB50W Series

Application Note V20 October 2019

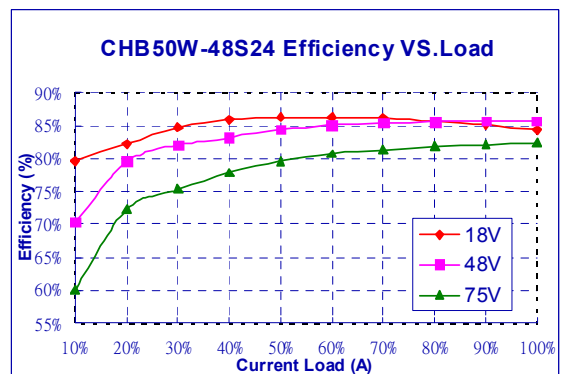
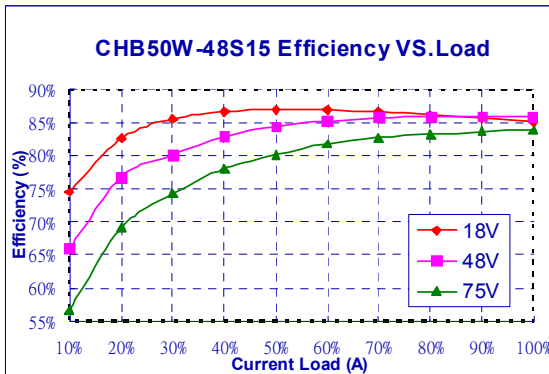
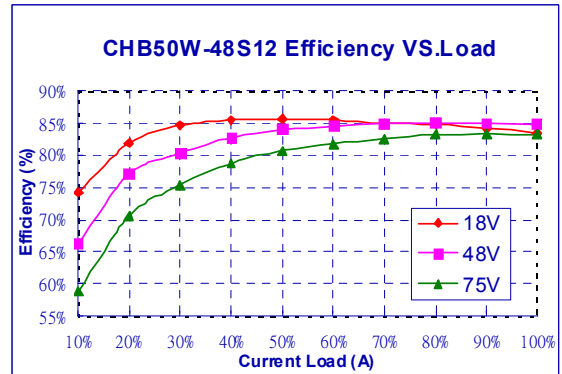
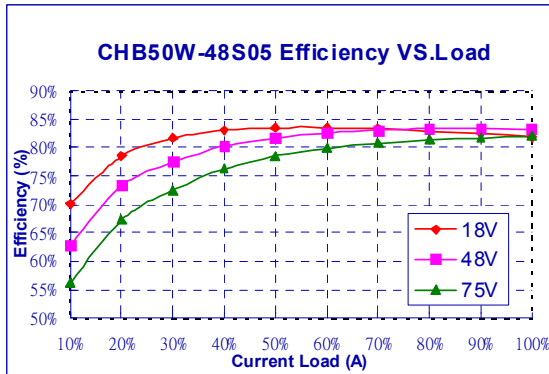
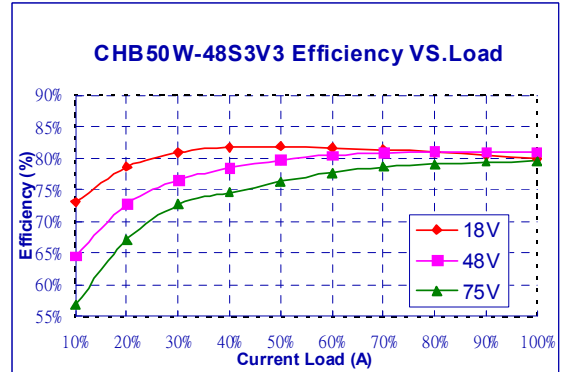
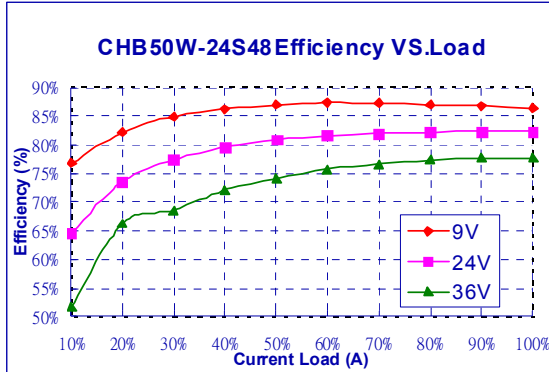
6.7 Efficiency VS. Load





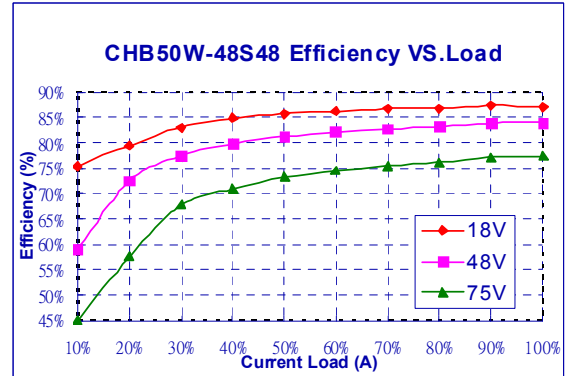
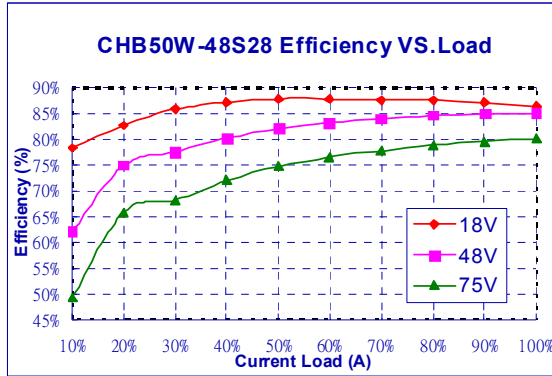
CHB50W Series

Application Note V20 October 2019





CHB50W Series Application Note V20 October 2019





CHB50W Series Application Note V20 October 2019

6.8 Test Set-Up

The basic test set-up to measure parameters such as efficiency and load regulation is shown below. When testing the modules under any transient conditions please ensure that the transient response of the source is sufficient to power the equipment under test. We can calculate:

- Efficiency
- Load regulation and line regulation.

The value of efficiency is defined as:

$$\eta = \frac{V_o \times I_o}{V_{in} \times I_{in}} \times 100\%$$

Where:

V_o is output voltage,
 I_o is output current,
 V_{in} is input voltage,
 I_{in} is input current.

The value of load regulation is defined as:

$$Load\ reg = \frac{V_{FL} - V_{NL}}{V_{NL}} \times 100\%$$

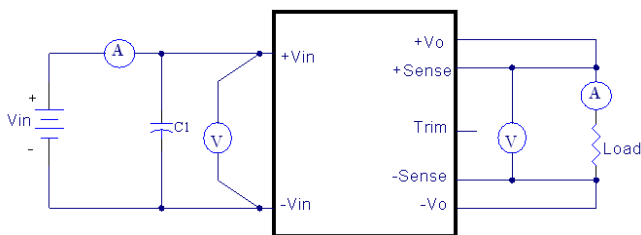
Where:

V_{FL} is the output voltage at full load
 V_{NL} is the output voltage at no load

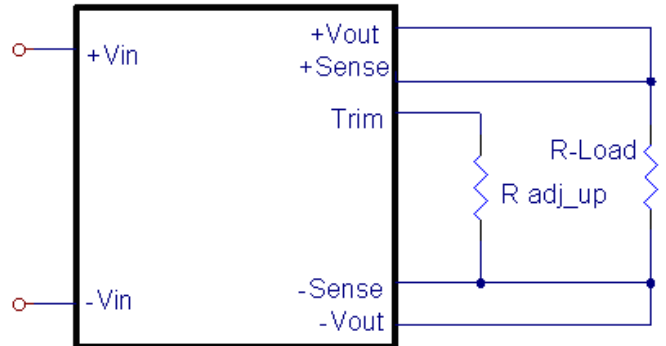
The value of line regulation is defined as:

$$Line\ reg = \frac{V_{HL} - V_{LL}}{V_{LL}} \times 100\%$$

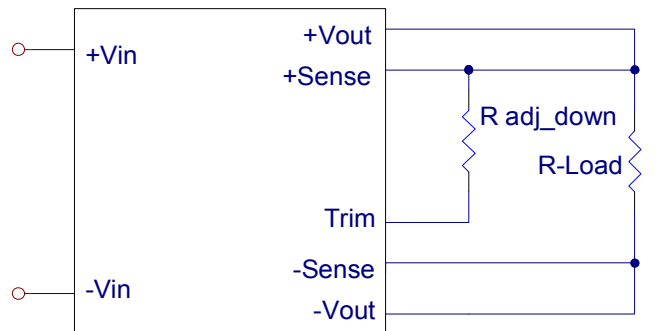
Where: V_{HL} is the output voltage of maximum input voltage at full load. V_{LL} is the output voltage of minimum input voltage at full load.



CHB150W Series Test Setup



Trim-up Voltage Setup



Trim-down Voltage Setup

V_{out} (V)	R1 (K Ω)	R2 (K Ω)	R3 (K Ω)	V_r (V)	V_f (V)
3.3V	3	12	18	1.24	0.46
5V	2.32	8.2	NC	2.5	0
12V	9.1	51	18	2.5	0.46
15V	12	82	18	2.5	0.46
24V	20	100	20	2.5	0.46
28V	23.7	150	16	2.5	0.46
48V	36	270	14	2.5	0.46

table of trim resistor values

6.9 Output Voltage Adjustment

In order to trim the voltage up or down, one needs to connect the trim resistor either between the trim pin and -Vo for trim-up or between trim pin and +Vo for trim-down. The output voltage trim range is $\pm 10\%$. This is shown:



CHB50W Series

Application Note V20 October 2019

For 5V Rtrim_up decision

$$R_{trim_up} = \left(\frac{R_1 V_r}{V_o - V_{o_nom}} \right) - R_2 \quad (\text{K}\Omega)$$

For others Rtrim_up decision

$$R_{adj_up} = \left(\frac{R_1 (V_r - V_f (\frac{R_2}{R_2 + R_3}))}{V_o - V_{o_nom}} \right) - \frac{R_2 R_3}{R_2 + R_3} \quad (\text{K}\Omega)$$

Where:

- R_{adj_up} is the external resistor in K Ω .
- V_{o_nom} is the nominal output voltage.
- V_o is the desired output voltage.
- R1, R2, R3 and V_r are internal components and are defined in the table of trim resistor values

For example, to trim-up the output voltage of 5V module (CHB50W-48S05) by 8% to 5.4V, R_{adj_up} is calculated as follows:

$$\begin{aligned} V_o - V_{o_nom} &= 5.4 - 5.0 = 0.4\text{V} \\ R_1 &= 2.32 \text{ K}\Omega, R_2 = 8.2 \text{ K}\Omega, \\ V_r &= 2.5 \text{ V}, V_f = 0 \text{ V} \end{aligned}$$

$$R_{adj_up} = \frac{5.8}{0.4} - 8.2 = 6.3 \quad (\text{K}\Omega)$$

The value of R_{adj_down} defined as:

$$R_{adj_down} = \frac{R_1 \times (V_o - V_r)}{V_{o_nom} - V_o} - R_2 \quad (\text{K}\Omega)$$

Where:

- R_{adj_down} is the external resistor in K Ω .
- V_{o_nom} is the nominal output voltage.
- V_o is the desired output voltage.
- R1, R2, R3 and V_r are internal components.

For example: to trim-down the output voltage of 12V module (CHB50W-48S05) by 8% to 4.6V, R_{adj_down} is calculated as follows:

$$\begin{aligned} V_{o_nom} - V_o &= 5.0 - 4.6 = 0.4 \text{ V} \\ R_1 &= 2.32 \text{ K}\Omega, R_2 = 8.2 \text{ K}\Omega, V_r = 2.5 \text{ V} \end{aligned}$$

$$R_{adj_down} = \frac{2.32 \times (4.6 - 2.5)}{0.4} - 8.2 = 3.98 \quad (\text{K}\Omega)$$

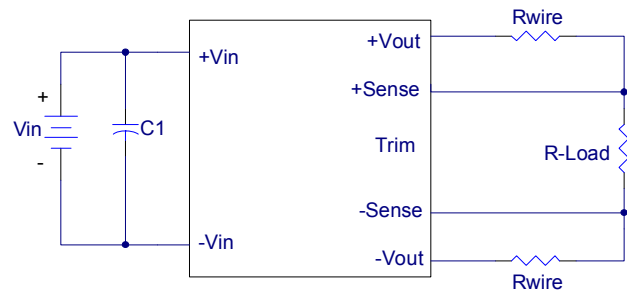
6.10 Output Remote Sensing

The CHB50W SERIES converter has the capability to remotely sense both lines of its output. This feature moves the effective output voltage regulation point from the output of the unit to the point of connection of the remote sense pins. This feature automatically adjusts the real output voltage of the CHB50W series in order to compensate for voltage drops in distribution and maintain a regulated voltage at the point of load. The remote-sense voltage range is:

$$[(+V_{out}) - (-V_{out})] - [(+Sense) - (-Sense)] \leq 10\% \text{ of } V_{o_nominal}$$

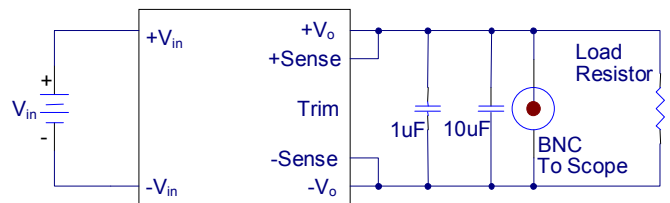
If the remote sense feature is not to be used, the sense pins should be connected locally. The +Sense pin should be connected to the +Vout pin at the module and the -Sense pin should be connected to the -Vout pin at the module.

This is shown in the schematic below.



Note: Although the output voltage can be varied (increased or decreased) by both remote sense and trim, the maximum variation for the output voltage is the larger of the two values not the sum of the values. The output power delivered by the module is defined as the voltage at the output terminals multiplied by the output current. Using remote sense and trim can cause the output voltage to increase and consequently increase the power output of the module if output current remains unchanged. Always ensure that the output power of the module remains at or below the maximum rated power. Also be aware that if V_{o.set} is below nominal value, P_{out.max} will also decrease accordingly because I_{o.max} is an absolute limit. Thus, P_{out.max} = V_{o.set} x I_{o.max} is also an absolute limit.

6.11 Output Ripple and Noise



Output ripple and noise is measured with 1.0uF ceramic and 10uF solid tantalum capacitors across the output. (48V: 1uF ceramic capacitors only)



CHB50W Series

Application Note V20 October 2019

6.12 Output Capacitance

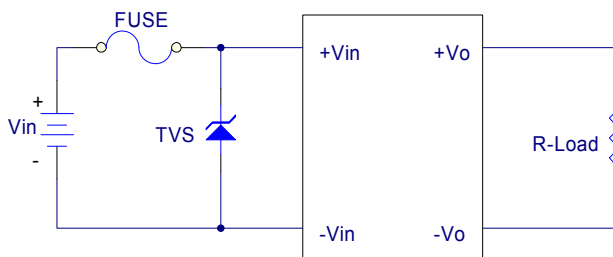
The CHB50W series converters provide unconditional stability with or without external capacitors. For good transient response, low ESR output capacitors should be located close to the point of load. PCB design emphasizes low resistance and inductance tracks in

consideration of high current applications. Output capacitors with their associated ESR values have an impact on loop stability and bandwidth. Cincon's converters are designed to work with load capacitance to see technical specifications.

7. Safety & EMC

7.1 Input Fusing and Safety Considerations

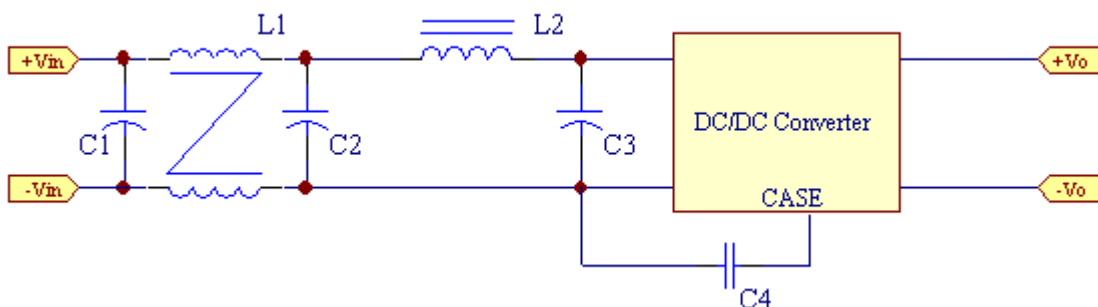
The CHB50W series converters have no internal fuse. In order to achieve maximum safety and system protection, always use an input line fuse. We recommended a 10A time delay fuse for 24V_{in} models, and 5A for 48V_{in} models. It is recommended that the circuit have a transient voltage suppressor diode (TVS) across the input terminal to protect the unit against surge or spike voltage and input reverse voltage (as shown).



7.2 EMC Considerations

Suggested Circuits for Conducted EMI Class A & Class B

(1) EMI and conducted noise meet EN55022 Class A specifications:



Model No.	C1	C2	C3	C4	L1	L2
CHB50W-24S33	NC	100uF/50V	100uF/50V	2200pF/2KV	Short	3.5uH
CHB50W-24S05	NC	100uF/50V	100uF/50V	2200pF/2KV	Short	3.5uH
CHB50W-24S12	NC	100uF/50V	100uF/50V	2200pF/2KV	Short	3.5uH
CHB50W-24S15	NC	100uF/50V	100uF/50V	2200pF/2KV	Short	3.5uH
CHB50W-24S24	10uF/50V	100uF/50V	100uF/50V	NC	1.5mH	3.4uH
CHB50W-24S28	NC	100uF/50V	100uF/50V	2200pF/2KV	Short	3.4uH
CHB50W-48S33	NC	47uF/100V	47uF/100V	2200pF/2KV	Short	3.4uH
CHB50W-48S05	NC	47uF/100V	47uF/100V	2200pF/2KV	Short	3.4uH
CHB50W-48S12	NC	47uF/100V	47uF/100V	2200pF/2KV	Short	3.4uH
CHB50W-48S15	NC	47uF/100V	47uF/100V	2200pF/2KV	Short	3.4uH
CHB50W-48S28	NC	100uF/100V	100uF/100V	2200pF/2KV	Short	3.4uH
CHB50W-48S24	NC	47uF/100V	47uF/100V	2200pF/2KV	Short	3.4uH

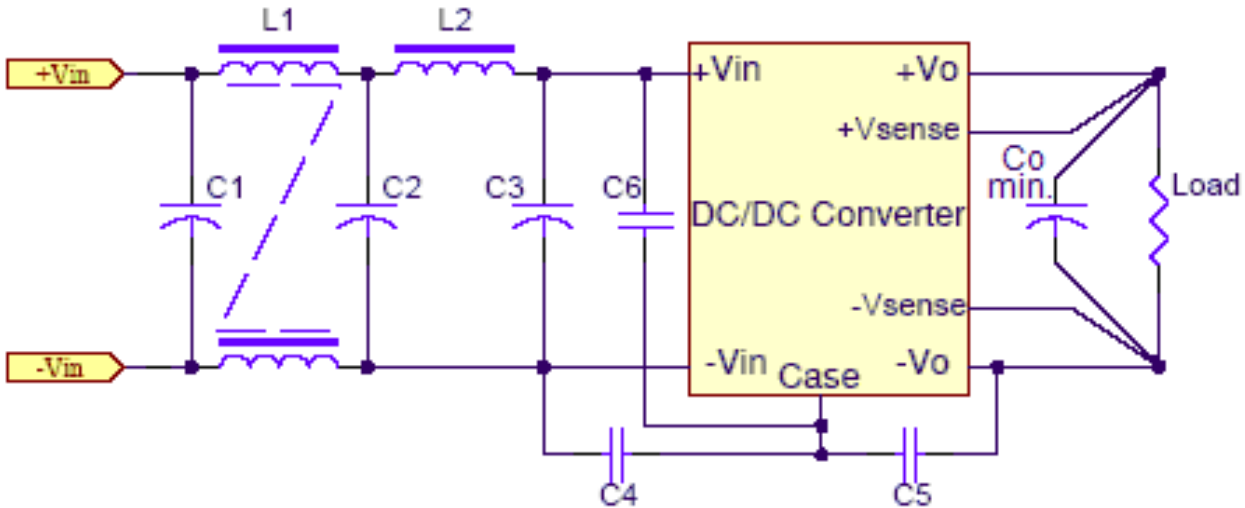
Note: 47uF/100V NIPPON CHEMI-CON KMF series aluminum capacitors, 10uF/50V, C4 is ceramic capacitors. 100uF/50V, 100uF/100V NIPPON CHEMI-CON KY series aluminum capacitors.



CHB50W Series

Application Note V20 October 2019

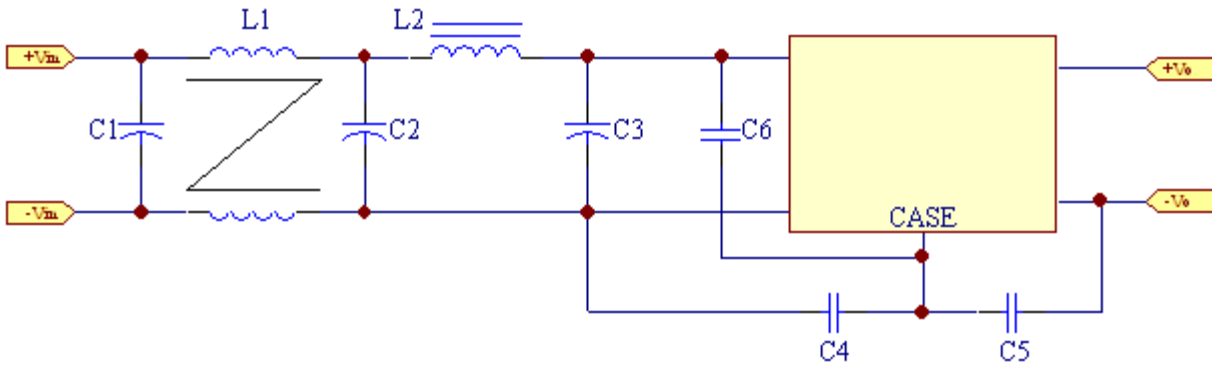
(2) EMI and conducted noise meet EN55022 Class A specifications:



Model No.	C1	C2	C3	C4	C5	C6	L1	L2
CHB50W-24S48	NC	100uF/50V	100uF/50V	NC	NC	NC	Short	3.5uH
CHB50W-48S48	NC	47uF/100V	47uF/100V	2200pF/2KV	NC	NC	Short	3.5uH

Note: C2, C3 NIPPON CHEMI-CON KMF series, C4 is ceramic capacitors, Co min. for Vo: 48V.

(3) EMI and conducted noise meet EN55022 Class B specifications:



Model No.	C1	C2	C3	C4	C5	C6	L1	L2
CHB50W-24S33	100uF/50V	100uF/50V	100uF/50V	3300pF/2KV	NC	NC	0.65mH	1.5uH
CHB50W-24S05	100uF/50V	100uF/50V	100uF/50V	2200pF/2KV	NC	NC	0.65mH	1.5uH
CHB50W-24S12	100uF/50V	100uF/50V	100uF/50V	3300pF/2KV	NC	NC	0.65mH	1.5uH
CHB50W-24S15	100uF/50V	100uF/50V	100uF/50V	2200pF/2KV	NC	NC	0.65mH	1.5uH
CHB50W-24S24	10uF/50V	100uF/50V	100uF/50V	2200pF/2KV	3300pF/2KV	1000pF/2KV	1.5mH	3.4uH
CHB50W-48S33	47uF/100V	47uF/100V	47uF/100V	3300pF/2KV	3300pF/2KV	1000pF/2KV	1.5mH	3.4uH
CHB50W-48S05	47uF/100V	47uF/100V	47uF/100V	3300pF/2KV	3300pF/2KV	1000pF/2KV	1.5mH	3.4uH
CHB50W-48S12	47uF/100V	47uF/100V	47uF/100V	3300pF/2KV	3300pF/2KV	1000pF/2KV	1.5mH	3.4uH
CHB50W-48S15	47uF/100V	47uF/100V	47uF/100V	3300pF/2KV	3300pF/2KV	1000pF/2KV	1.5mH	3.4uH
CHB50W-48S24	47uF/100V	47uF/100V	47uF/100V	3300pF/2KV	3300pF/2KV	1000pF/2KV	1.5mH	3.4uH

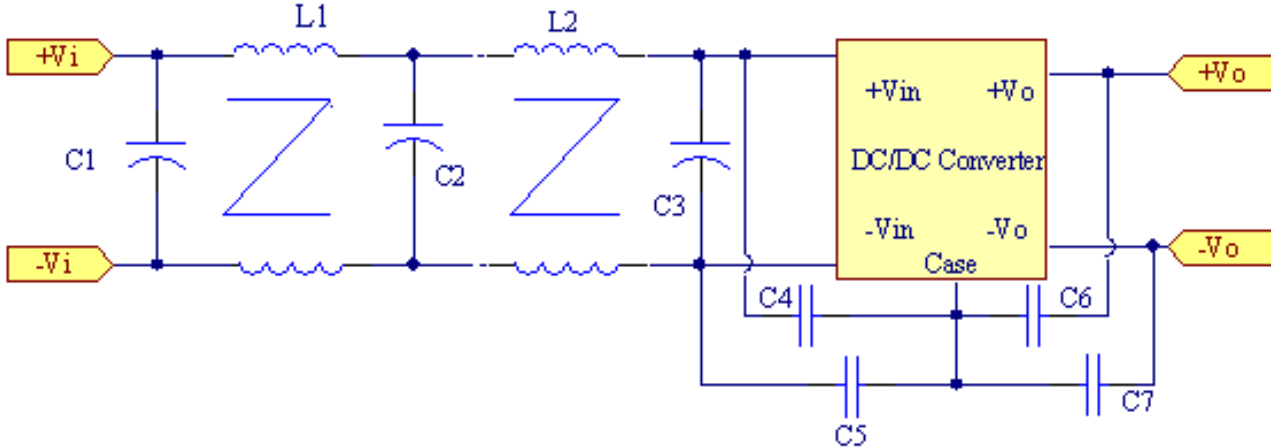
Note: 100uF/50V, 47uF/100V NIPPON CHEMI-CON KMF series aluminum capacitors, 10uF/50V, C4, C5, C6 is ceramic capacitors.



CHB50W Series

Application Note V20 October 2019

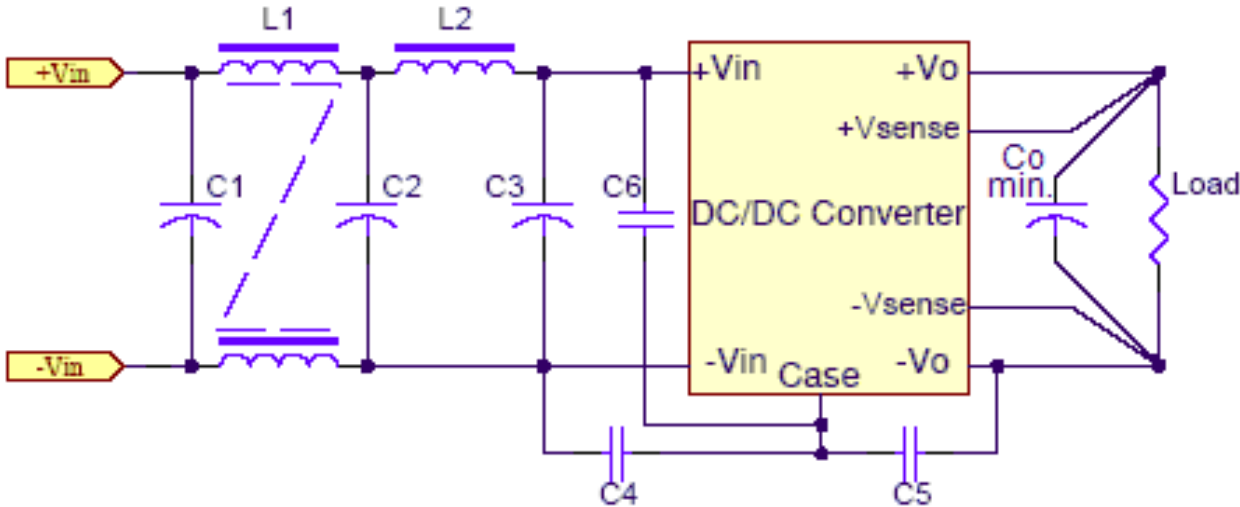
(4) EMI and conducted noise meet EN55022 Class B specifications:



Model No.	C1	C2	C3	C4	C5	C6	C7	L1	L2
CHB50W-24S28	100uF/50V	100uF/50V	NC	NC	1000pF/2KV	NC	NC	0.12mH	0.34mH
CHB50W-48S28	100uF/100V	100uF/100V	NC	NC	1000pF/2KV	NC	NC	0.12mH	0.34mH

Note: C1, C2 NIPPON CHEMI-CON KY series, C5 is ceramic capacitors.

(5) EMI and conducted noise meet EN55022 Class B specifications:



Model No.	C1	C2	C3	C4	C5	C6	L1	L2
CHB50W-24S48	10uF/50V	100uF/50V	100uF/50V	4700pF/2KV	2200pF/2KV	1000pF/2KV	1.5mH	3.4uH
CHB50W-48S48	47uF/100V	47uF/100V	47uF/100V	4700pF/2KV	2200pF/2KV	1000pF/2KV	1.5mH	3.4uH

Note: 100uF/50V, 47uF/100V NIPPON CHEMI-CON KMF series, 10uF/50V, C5, C6 is ceramic capacitors, Co min. for Vo: 48V.



CHB50W Series

Application Note V20 October 2019

8. Part Number

Format: CHB50W – II X OO L-Y

Parameter	Series	Nominal Input Voltage	Number of Outputs	Output Voltage	Remote ON/OFF Logic	Mounting Inserts
Symbol	CHB50W	II	X	OO	L	Y (Option)
Value	CHB50W	24: 24 Volts 48: 48 Volts	S: Single	33: 3.3 Volts 05: 05 Volts 12: 12 Volts 15: 15 Volts 24: 24 Volts 28: 28 Volts 48: 48 Volts	None: Positive N: Negative	C: Clear Mounting Insert (3.2mm DIA.)

9. Mechanical Specifications

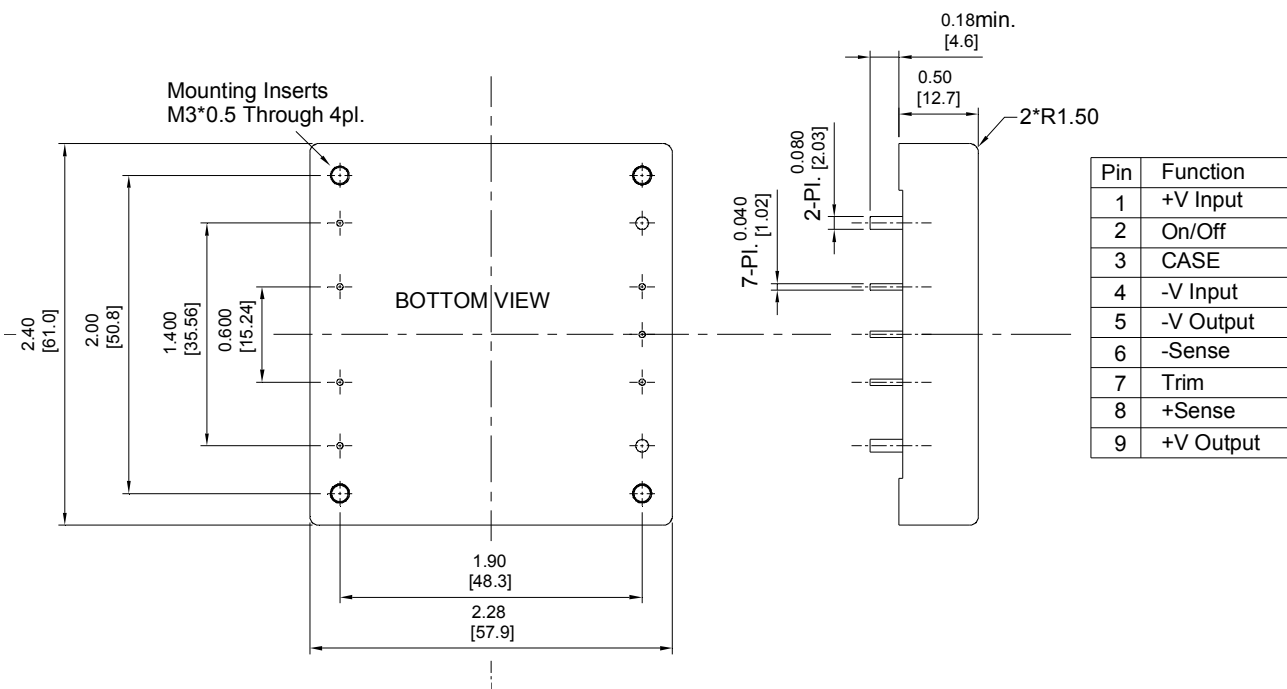
9.1 Mechanical Outline Diagrams

CASE HB

All Dimensions In Inches(mm)

Tolerances Inches: X.XX= ±0.02 , X.XXX= ±0.010

Millimeters: X.X= ±0.5 , X.XX=±0.25



CINCON ELECTRONICS CO., LTD.

Headquarters:

14F, No.306, Sec.4, Hsin Yi Rd.
 Taipei, Taiwan
 Tel: 886-2-27086210
 Fax: 886-2-27029852
 E-mail: support@cincon.com.tw
 Web Site: <http://www.cincon.com>

Factory:

No. 8-1, Fu Kung Rd.
 Fu Hsing Industrial Park
 Fu Hsing Hsiang,
 Chang Hua Hsien, Taiwan
 Tel: 886-4-7690261
 Fax: 886-4-7698031

Cincon North America:

1655 Mesa Verde Ave. Ste 180
 Ventura, CA 93003
 Tel: 805-639-3350
 Fax: 805-639-4101
 E-mail: info@cincon.com