



MDS-P Motion Detection Sensor

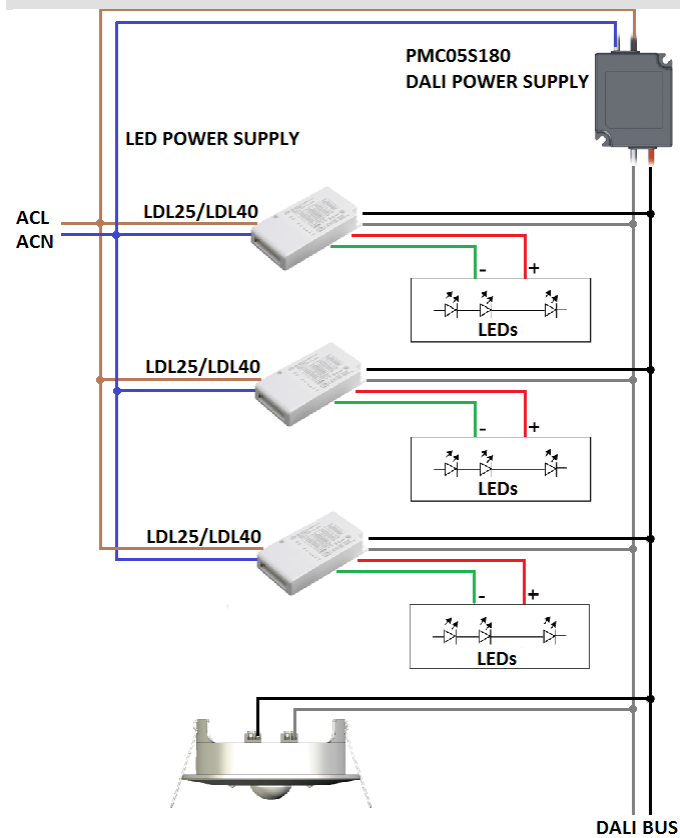
Features

- * Motion Detection Sensor for DALI System
- * Powered by DALI Bus
- * Simple Group Assignment Via Rotary Switch
- * Built-in high sensitivity PIR sensor

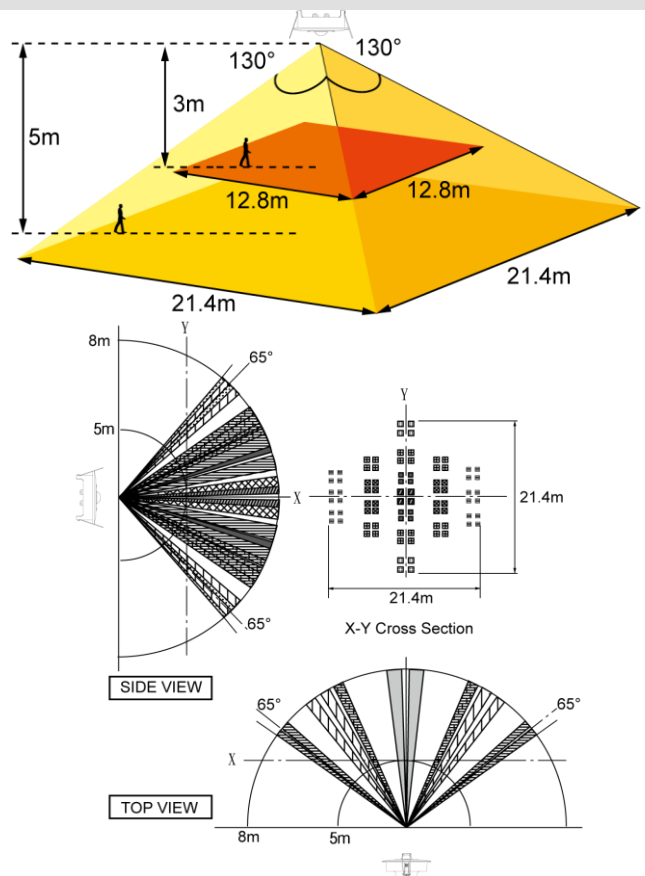


MODEL	INPUT VOLTAGE	CURRENT DRAW	OPERATING TEMPERATURE
MDS-P	10-22.5VDC (Powered by DALI Bus)	10mA	0-50°C

Installation



Motion Detection Area



Specifications

INPUT SPECIFICATIONS:

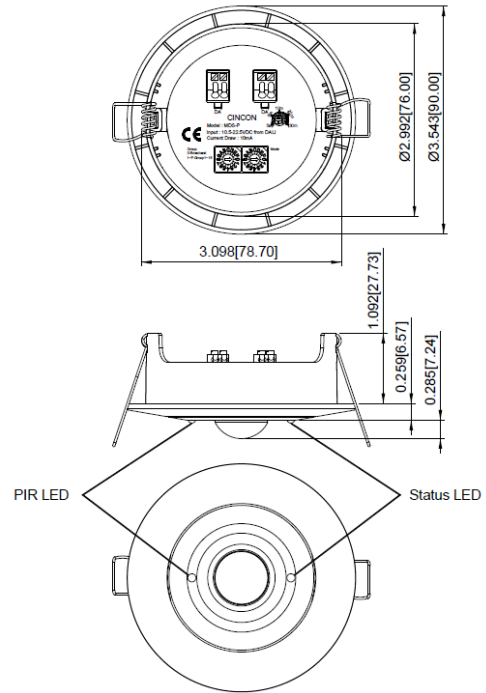
Power Input Via DALI Bus 10.5~22.5Vdc
 Current Draw 10mA from DALI

GENERAL SPECIFICATIONS:

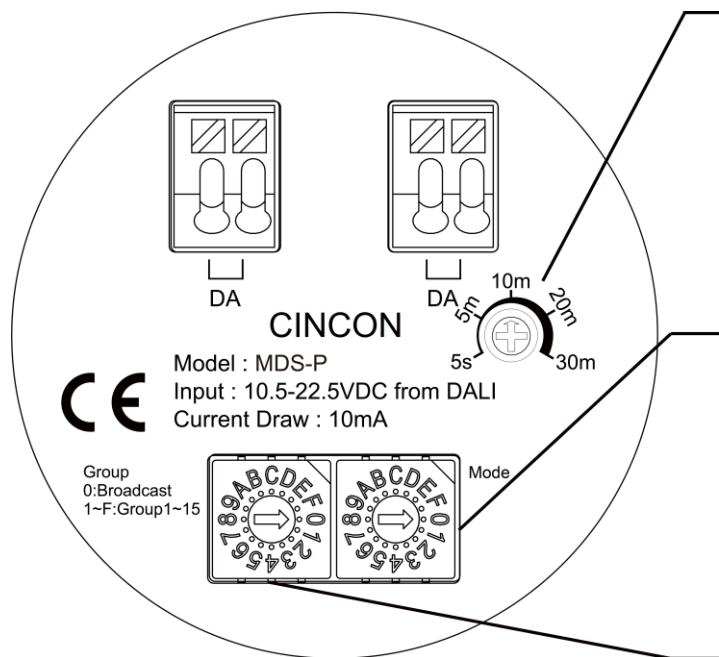
Operating Ambient Temperature 0~50°C
 Storage Temperature -40~85°C
 Operating Humidity 10%-80% RH Non-Condensing
 Case Material PC
 Connecting Wire Cross Section 28-16 AWG/0.5~1.5 mm², Solid or Sstranded Wire
 Motion Detection Distance 5m
 Dimensions 90x90x40.54mm
 Weight 58g

Mechanical Drawing

All Dimensions in Inches[mm]
 Tolerance Inches:x.xxx=±0.02
 Millimeters: x.xx=±0.5



Operation



Time

Delay Time 5secs~30mins



Mode Illuminance Sensor-Based

0	ON:100% → MIN: 1% → OFF	8	ON: 100% → MIN: 1%
1	ON:100% → MIN: 5% → OFF	9	ON: 100% → MIN: 5%
2	ON:100% → MIN:10% → OFF	A	ON: 100% → MIN: 10%
3	ON:100% → MIN:20% → OFF	B	ON: 100% → MIN: 20%
4	ON: 70% → MIN: 1% → OFF	C	ON: 70% → MIN: 1%
5	ON: 70% → MIN: 5% → OFF	D	ON: 70% → MIN: 5%
6	ON: 70% → MIN:10% → OFF	E	ON: 70% → MIN: 10%
7	ON: 70% → MIN:20% → OFF	F	ON: 70% → MIN: 20%

Group

0: Broadcast, 1~F: Group1~15

Note:

1. Group 1 represents the Group 0 in the DALI standard.
2. A sensor under Broadcast Mode should not be on the same DALI bus with a sensor under Group Mode.

0	1	2	3	4	5	6	7
Broadcast	Group1	Group2	Group3	Group4	Group5	Group6	Group7
8	9	A	B	C	D	E	F
Group8	Group9	Group10	Group11	Group12	Group13	Group14	Group15

Note: Group 1 represents the Group 0 in the DALI standard