



TRE06 SERIES 6W SWITCHING ADAPTER



Features

- * Miniature Size
 - * Universal Input: 90~264Vac
 - * Meets EN55032 Class B and CISPR/FCC Class B
 - * Continuous Short Circuit Protection
 - * No Load Power Consumption < 75mW
 - * Constant Current (Optional)
 - * Optional US&EU AC Plugs
 - * Approved IEC/UL 62368-1
 - * Meet CoC Tier 2 & DoE Level VI
 - * Class II
- (Output Cable Length \leq 1800mm)



Ordering information

| TRE06XXX- | X | XX | X | XX |
|-----------|-----------------|--------------|----------------|--------------------------------|
| Model No. | AC Plug Type | DC Plug Type | OVP | DC Cable Length and Type |
| | A: USA 2 Pin | | A: Without OVP | 01: 720mm |
| | E: Europe 2 Pin | | | 02: 1220mm |
| | | | | 03: 1800mm |
| | | | | 11: 720mm with Ferrite Core |
| | | | | 12: 1220mm with Ferrite Core |
| | | | | 13: 1800mm with Ferrite Core |
| | | | | * 22AWG for 5V, UL2468 |
| | | | | * 24AWG for 9V 12V 15V, UL2468 |

| MODEL | OUTPUT VOLTAGE | OUTPUT CURRENT | RIPPLE & NOISE NOTE 1 | VOLTAGE ACCURACY NOTE 2 | LINE REGULATION NOTE 3 | LOAD REGULATION NOTE 4 | % EFF. NOTE 5 |
|-----------|----------------|----------------|-----------------------|-------------------------|------------------------|------------------------|---------------|
| TRE06S050 | 5V | 1200mA | 100mVp-p | ±4% | ±1% | ±3% | 77.79% |
| TRE06S090 | 9V | 650mA | 100mVp-p | ±3% | ±1% | ±2% | 81.39% |
| TRE06S120 | 12V | 500mA | 120mVp-p | ±3% | ±1% | ±2% | 81.57% |
| TRE06S150 | 15V | 400mA | 120mVp-p | ±3% | ±1% | ±2% | 82.61% |

Specifications are subject to change without notice.

Specifications

INPUT SPECIFICATIONS:

Voltage 90~264Vac
 120~370Vdc
 Frequency 47 to 63Hz
 Input Current 0.25A max.
 Inrush Current Cold Start @25°C 90A max. @ 240Vac
 Leakage Current 0.25mA max.

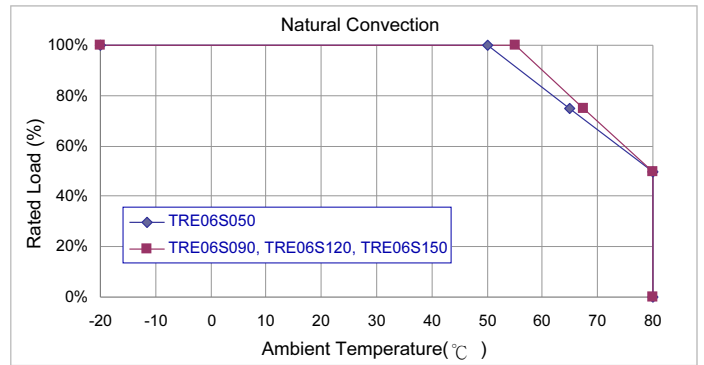
OUTPUT SPECIFICATIONS:

Holdup Time 10ms typ. @115Vac
 Short Circuit Protection Hiccup Mode Continuous (Auto Recovery)
 Temperature Coefficient ±0.05%/°C

GENERAL SPECIFICATIONS:

Isolation Input to output 3,000VAC
 Operating Temperature -20~80°C (see derating curve)
 Storage Temperature -20~85°C
 Humidity 93% RH max. Non Condensing
 Cooling Natural Convection
 Switching Frequency 30~70KHz typ.
 MTBF MIL-HDBK-217F, GB, 25°C/115VAC 900Khrs min.
 Altitude 4000m
 Dimensions 2.047x1.417x0.992inches (52.00x36.00x25.21mm)
 Weight 55g(0.12 Pounds)

TRE06S Series Derating Curve



SAFETY AND EMC:

Emission and Immunity EN55032 Class B, FCC Part 15 Class B
 EN61000-6-3, EN61000-3-2, EN61000-3-3
 EN55024, EN61204-3, EN61000-6-1
 Safety Class II, IEC62368-1/60950-1
 UL62368-1/60950-1

NOTE:

1. Add a 0.1uF ceramic capacitor and a 10uF E.L. capacitor to output for ripple&noise measuring @20MHz BW.
2. Voltage setpoint at 60% load.
3. Line regulation measured from 100Vac to 240Vac, full load.
4. Load regulation measured from 60% to full load and from 60% to 20% load (60% +/- 40% load).
5. Efficiency with 230 VAC and 75% load 25°C.

Mechanical Specification

FIG.A

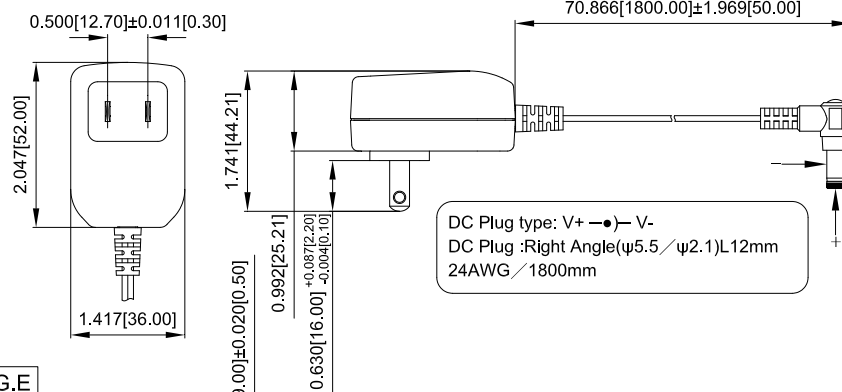
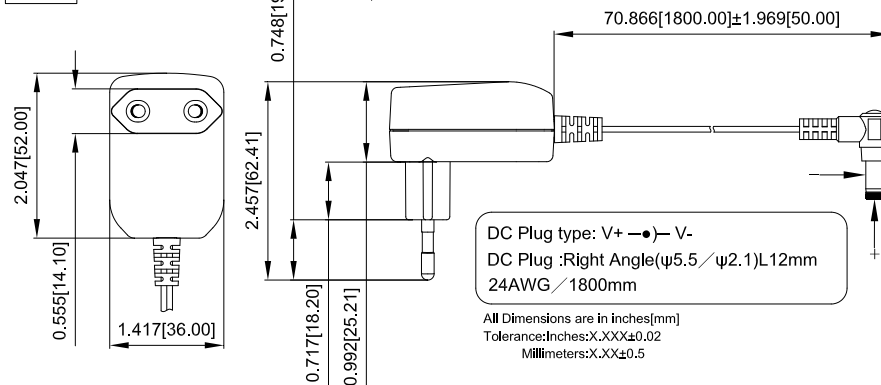


FIG.E



Typical at 25°C, nominal line and 75% load, unless otherwise Specified