



TRE15 Series

Application Note V12

<p>15W AC-DC I.T.E SWITCHING ADAPTER TRE15 Series APPLICATION NOTE</p>



Approved By:

Department	Approved By	Checked By	Written By
Research and Development Department	Enoch	Yang	Pei Chun
		Ovid	
Design Quality Department	Benny	JoJo	



TRE15 Series

Application Note V12

Content

1. INTRODUCTION	3
2. ELECTRICAL BLOCK DIAGRAM	3
3. MAIN FEATURES AND FUNCTIONS	4
3.1 <i>Operating Temperature Range</i>	4
3.2 <i>Output Current Protection</i>	4
4. APPLICATIONS	4
4.1 <i>Test Set-Up</i>	4
4.2 <i>Output Ripple and Noise Measurement</i>	4
5. PACKING INFORMATION	5



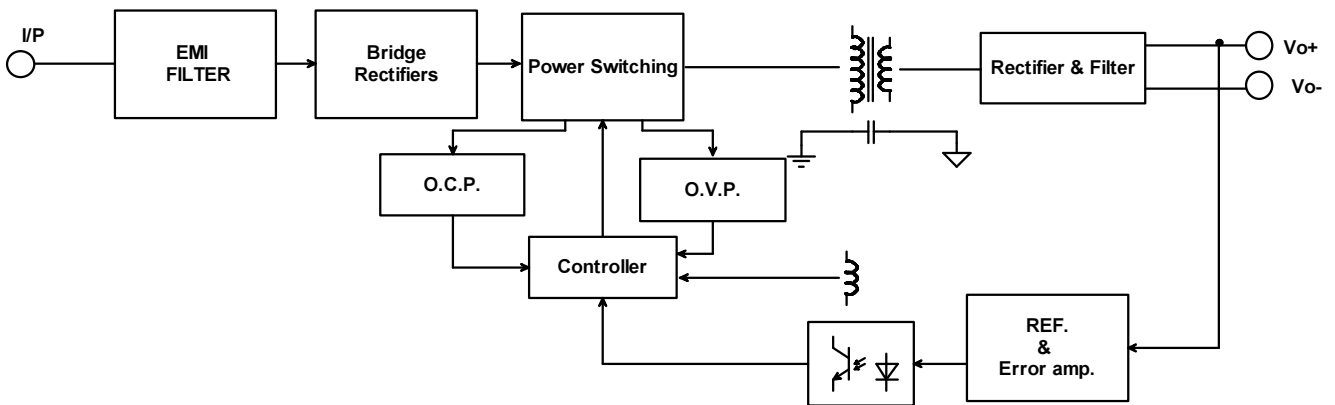
TRE15 Series

Application Note V12

1. Introduction

This application note describes the features and functions of Cincon's TRE15 series of adapter, switching AC-DC power. These are highly efficient, reliable, compact, high power density, single output AC/DC power. The power is fully protected against short circuit and over-voltage conditions. Cincon's world class automated manufacturing methods, together with an extensive testing and qualification program, ensure that the TRE15 series power is extremely reliable.

2. Electrical Block Diagram





TRE15 Series

Application Note V12

3. Main Features and Functions

3.1 Operating Temperature Range

The highly efficient design of Cincon's TRE15 series power has resulted in their ability to operate within ambient temperature environments from -20°C to 40°C. Due consideration must be given to the de-rating curves when ascertaining the maximum power that can be drawn from the power. The maximum power which can be drawn is influenced by a number of factors, such as:

- Input voltage range
- Permissible output load (per derating curve)

3.2 Output Current Protection

All different voltage models have a full continuous short-circuit protection. The unit will auto recover once the short circuit is removed. To provide protection in a fault condition, the unit is equipped with internal over-current protection. The unit operates normally once the fault condition is removed. The power module will supply up to 110% - 160% of rated current. In the event of an over current converter will go into a hiccup mode protection.

4. Applications

4.1 Test Set-Up

The basic test set-up to measure parameters such as efficiency and load regulation is shown in Figure 1. When testing the Cincon's TRE15 series under any transient conditions, please ensure that the transient response of the source is sufficient to power the equipment under test. We can calculate the

- Efficiency
- Load regulation and line regulation.

The value of efficiency is defined as:

$$\eta = \frac{V_o \times I_o}{P_{in}} \times 100\%$$

Where:

- Vo is output voltage,
- Io is output current,
- Pin is input power,

The value of load regulation is defined as:

$$Load\ reg. = \frac{V_{FL} - V_{NL}}{V_{NL}} \times 100\%$$

Where:

- V_{FL} is the output voltage at full load

V_{NL} is the output voltage at 10% load

The value of line regulation is defined as:

$$Line\ reg. = \frac{V_{HL} - V_{LL}}{V_{LL}} \times 100\%$$

Where :

V_{HL} is the output voltage of maximum input voltage at full load.

V_{LL} is the output voltage of minimum input voltage at full load.

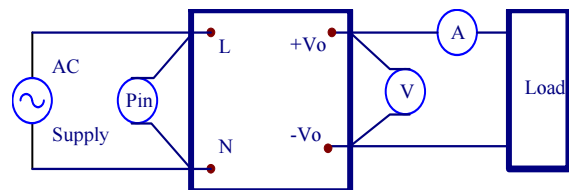


Figure 1. TRE15 Series Test Setup

4.2 Output Ripple and Noise Measurement

The test set-up for noise and ripple measurements is shown in Figure 2. Measured method:

Add a C1: 10uF electrolytic capacitor and a C2: 0.1uF ceramic capacitor to output at 20 MHz band width.

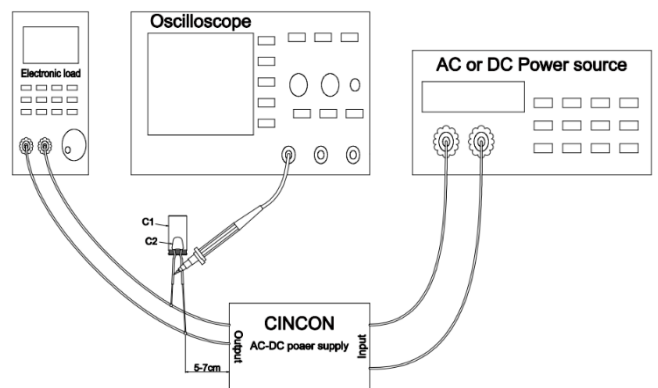


Figure 2. Output Voltage Ripple and Noise Measurement Set-Up

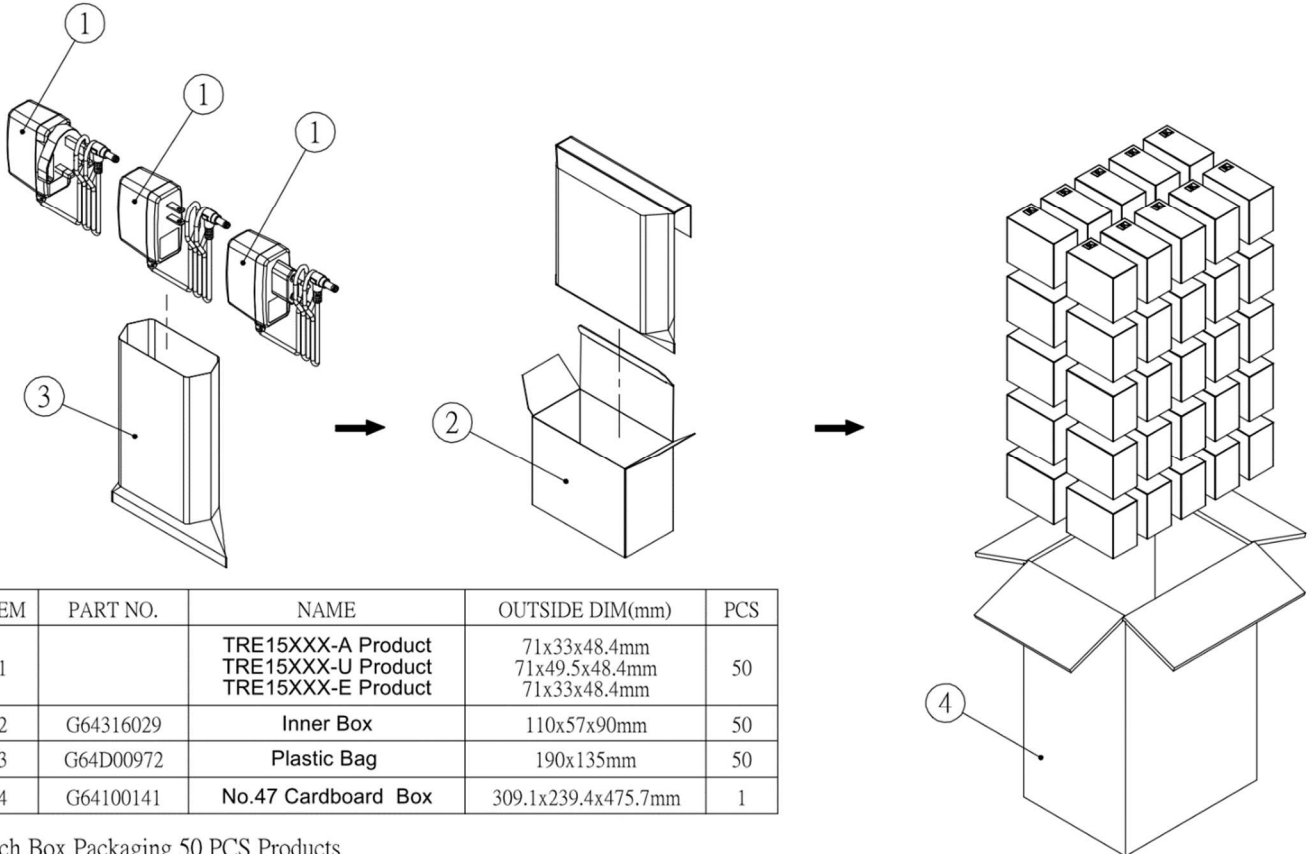


TRE15 Series

Application Note V12

5. Packing Information

The packing information for TRE15 series is showing as follows:



ITEM	PART NO.	NAME	OUTSIDE DIM(mm)	PCS
1		TRE15XXX-A Product TRE15XXX-U Product TRE15XXX-E Product	71x33x48.4mm 71x49.5x48.4mm 71x33x48.4mm	50
2	G64316029	Inner Box	110x57x90mm	50
3	G64D00972	Plastic Bag	190x135mm	50
4	G64100141	No.47 Cardboard Box	309.1x239.4x475.7mm	1

Each Box Packaging 50 PCS Products
 Net weight Ref. 5 Kg
 Gross weight Ref. 6 Kg

Headquarters:

14F, No.306, Sec.4, Hsin Yi Rd.
 Taipei, Taiwan
 Tel: 886-2-27086210
 Fax: 886-2-27029852
 E-mail: support@cincon.com.tw
 Web Site: <http://www.cincon.com>

CINCON ELECTRONICS CO., LTD.

Factory:

No. 8-1, Fu Kung Rd.
 Fu Hsing Industrial Park
 Fu Hsing Hsiang,
 Chang Hua Hsien, Taiwan
 Tel: 886-4-7690261
 Fax: 886-4-7698031

Cincon North America:

1655 Mesa Verde Ave. Ste 180
 Ventura, CA 93003
 Tel: 805-639-3350
 Fax: 805-639-4101
 E-mail: info@cincon.com